



www.megamoulds.com



PAVING BLOCK MOULD SAMPLES



ABOUT US

Mega Machinery And Mould Industry is a branch of Mega Export that started its commercial activities in 2007. Our company started to grow rapidly thanks to the experienced and expert staff and today it continues its trade life with the factory area established on 8.000 m2 area. In our projects, we manufacture every type of moulds for interlocking paving block and hollow block machines without any dependence on other companies and using superior technologies in our modern facility.

OUR MISSION AND VISION

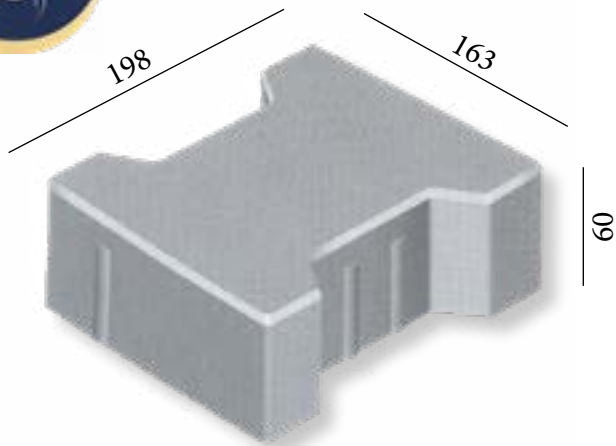
Mega Machinery And Mould Industry; Industrial service activities, applying universal standards, following the economic and technological developments, taking into account the demands from the customers, aiming to produce reliable products without compromising on the quality. Our company aims to produce concrete paving and hollow block machine moulds in line with the developing technologies and world standards. Design, spare parts, labor, installation and after-sales service quality has met the desired level, giving importance to scientific developments and thanks to the experienced personnel, has succeeded to be the leader and pioneer organization in overseas marketing.

OUR LEADING IDENTITY IN THE INDUSTRY

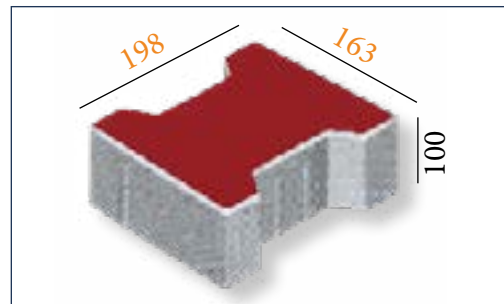
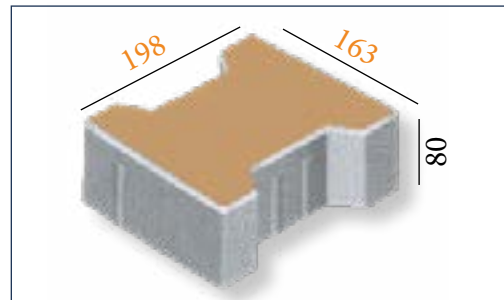
Our leading identity in the concrete mould industry and our belief in quality have been effective in making decisions based on data by using the opportunities offered by technology in line with the principles of research, innovation and competence. Being aware of social responsibility, understanding both parties, our importance for tolerance and support and our responsibility to environment are the other main factors that make us distinct. Our main aim is to lead Mega Machinery to the future by considering the customer satisfaction and welfare of the employees with the professional management. Our most distinctive feature that makes us different from our competitors is that we do our best to keep our customers satisfied.



PAVING BLOCK MOULD SAMPLES



THICKNESSES

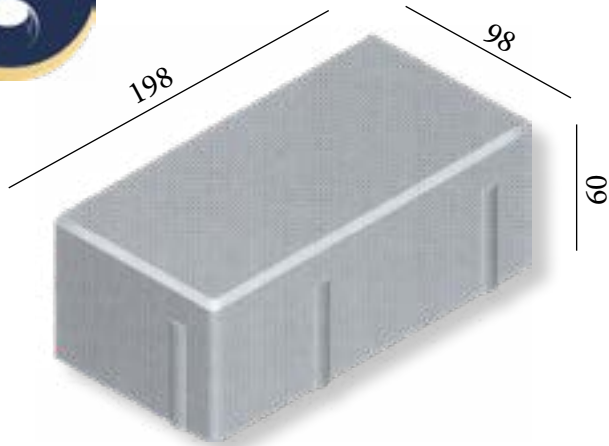


MEASUREMENTS

Standard Length:	198 mm
Standard Width:	163 mm
Standard Height:	60 mm
Piece Area dm ² :	3.2
Used Pieces Per Square Meter:	36

PRK - 01 / INTERLOCKING BLOCK
STANDARD: 198 x 163 x 60 mm



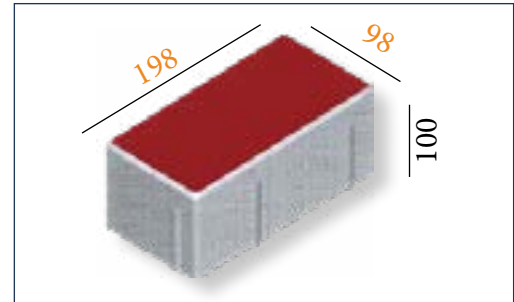
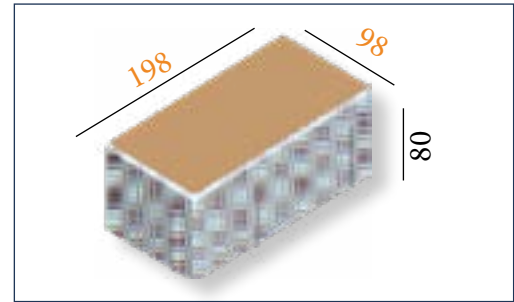


PRK - 02 / INTERLOCKING BLOCK

STANDARD: 198 x 98 x 60 mm

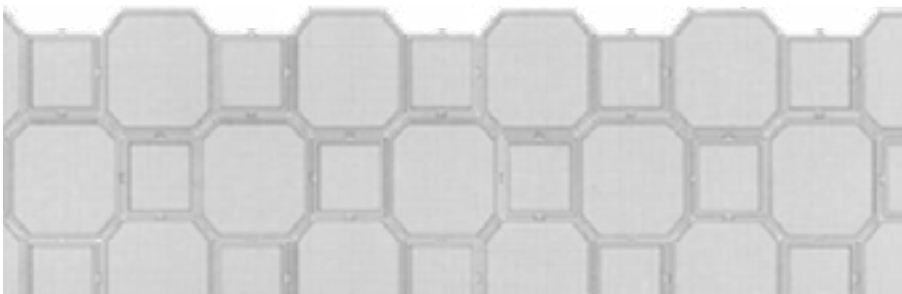
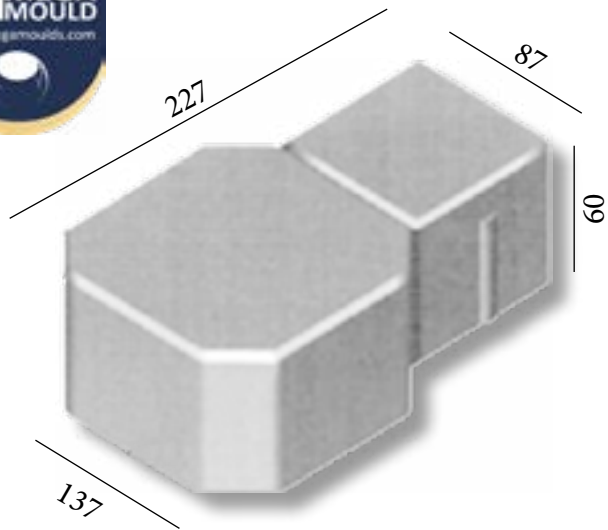


THICKNESSES



MEASUREMENTS

Standard Length:	198 mm
Standard Width:	98 mm
Standard Height:	60 mm
Piece Area dm ² :	1.94
Used Pieces Per Square Meter:	52

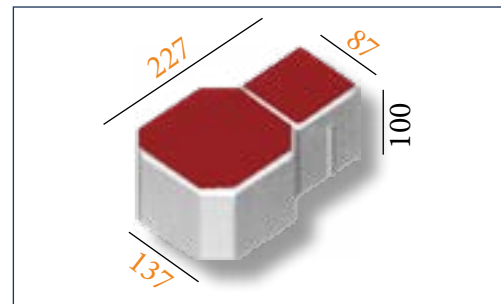
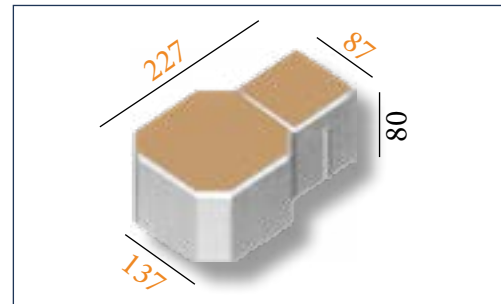


PRK - 03 / INTERLOCKING BLOCK

STANDARD: 227 x 137 - 87 x 60 mm

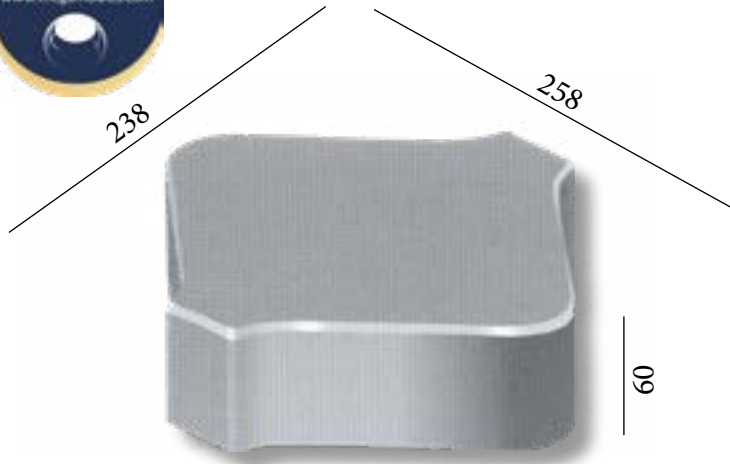


THICKNESSES

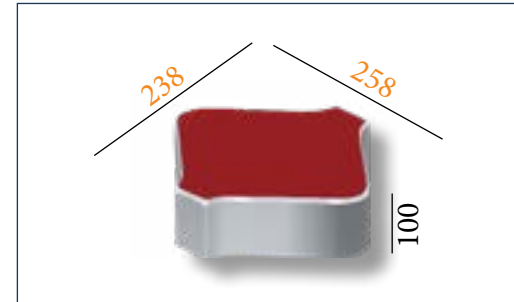
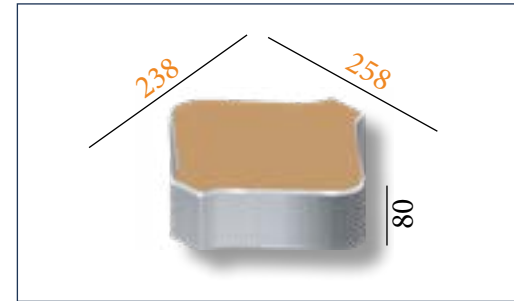


MEASUREMENTS

Standard Length:	227 mm
Standard Width:	137 / 87 mm
Standard Height:	60 mm
Piece Area dm ² :	3.10
Used Pieces Per Square Meter:	39



THICKNESSES



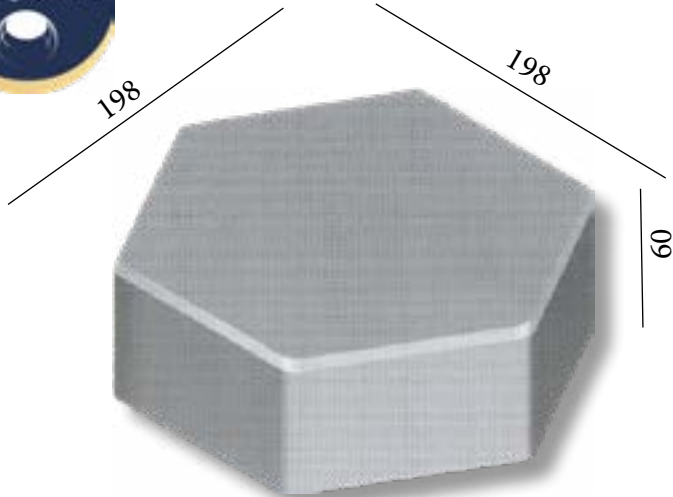
MEASUREMENTS

Standard Length:	238 mm
Standard Width:	258 mm
Standard Height:	60 mm
Piece Area dm ² :	6.14
Used Pieces Per Square Meter:	27

PRK - 04 / INTERLOCKING BLOCK

STANDARD: 238 x 258 x 60 mm

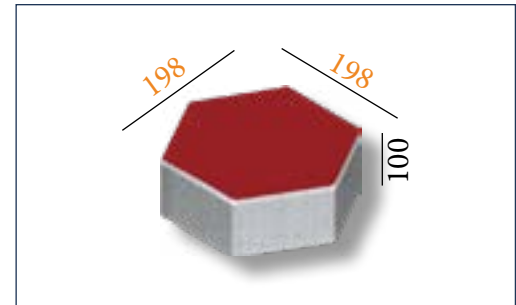
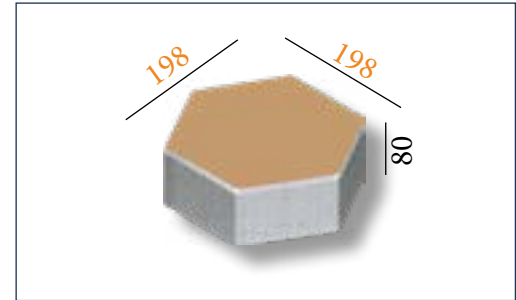




PRK - 05 / INTERLOCKING BLOCK
STANDARD: 198 x 198 x 60 mm

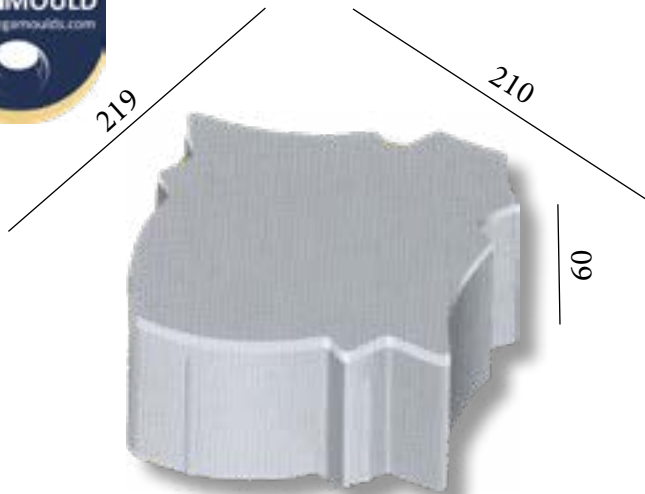


THICKNESSES



MEASUREMENTS

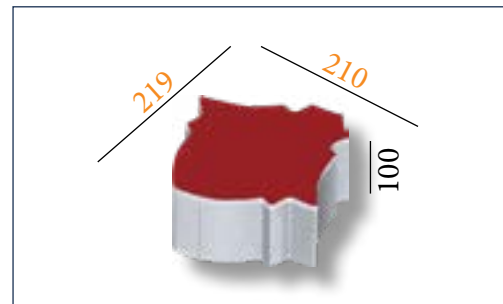
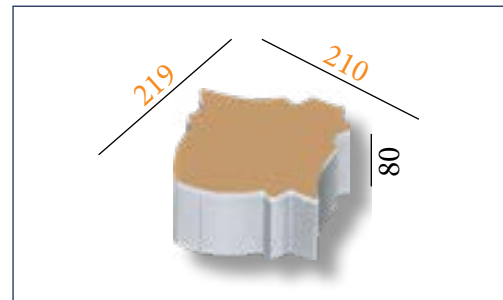
Standard Length:	198 mm
Standard Width:	198 mm
Standard Height:	60 mm
Piece Area dm ² :	3.92
Used Pieces Per Square Meter:	30



PRK - 06 / INTERLOCKING BLOCK
 STANDARD: 219 x 210 x 60 mm

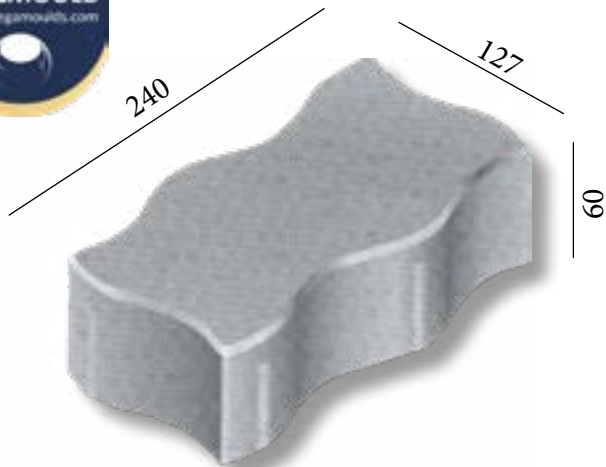


THICKNESSES



MEASUREMENTS

Standard Length:	219 mm
Standard Width:	210 mm
Standard Height:	60 mm
Piece Area dm ² :	4.59
Used Pieces Per Square Meter:	42

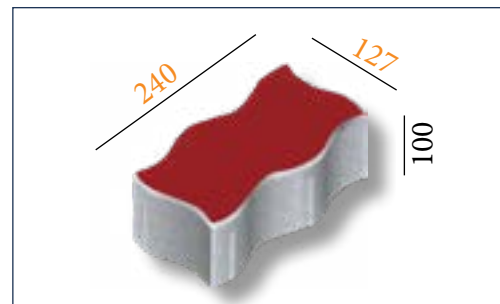
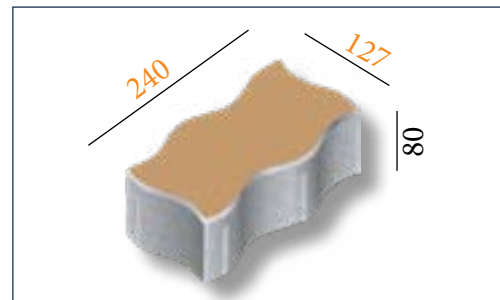


PRK - 07 / INTERLOCKING BLOCK

STANDARD: 240 x 127 x 60 mm

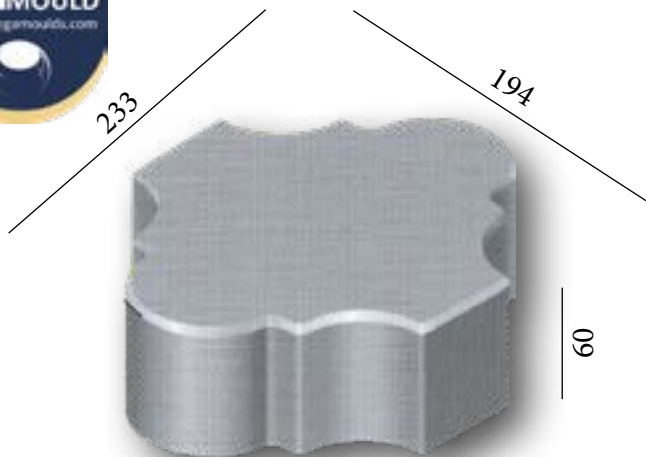


THICKNESSES



MEASUREMENTS

Standard Length:	240 mm
Standard Width:	127 mm
Standard Height:	60 mm
Piece Area dm ² :	3.04
Used Pieces Per Square Meter:	40

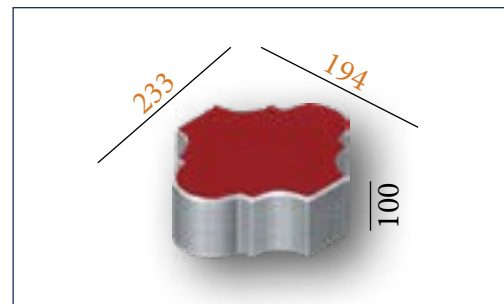
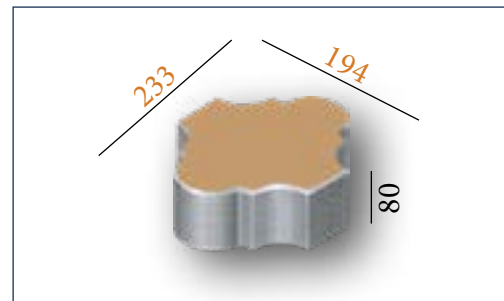


PRK - 08 / INTERLOCKING BLOCK
STANDARD: 233 x 194 x 60 mm



www.megamoulds.com

THICKNESSES

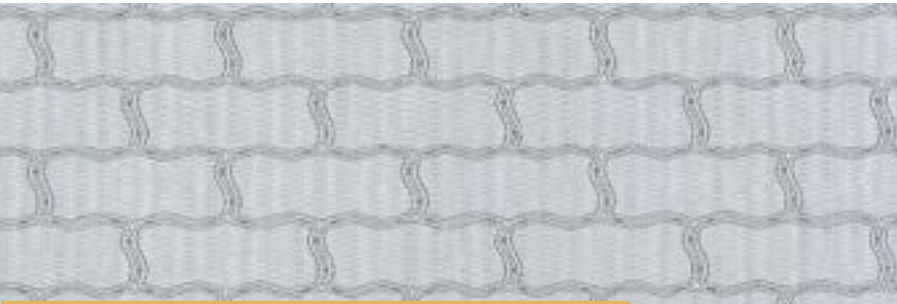
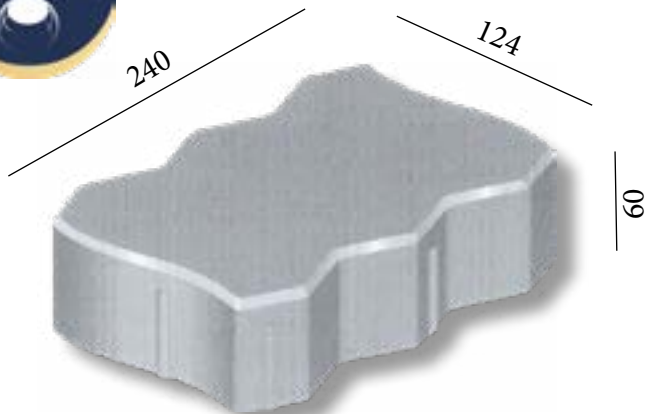


MEASUREMENTS

Standard Length:	233 mm
Standard Width:	194 mm
Standard Height:	60 mm
Piece Area dm ² :	4.52
Used Pieces Per Square Meter:	42

 +90 545 347 17 61  +90 542 359 67 64  +90 542 359 67 50
 +90 542 359 67 37  +90 542 359 67 53  +90 542 359 67 92

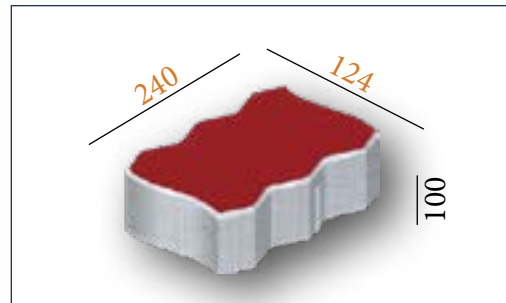
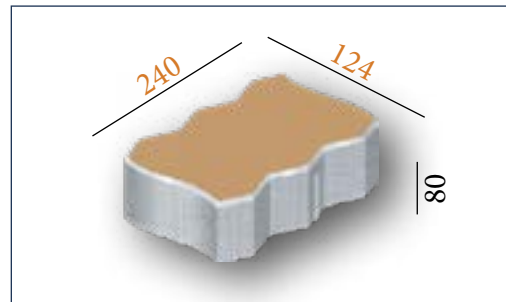
008



PRK - 09 / INTERLOCKING BLOCK
STANDARD: 240 x 124 x 60 mm

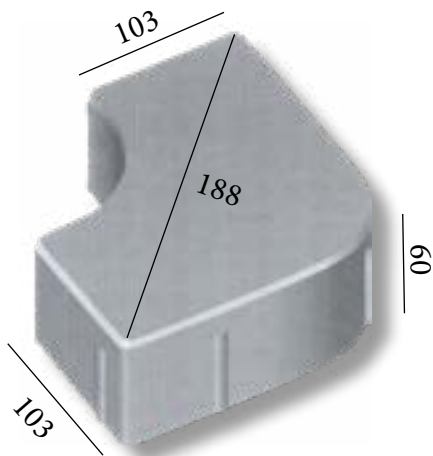


THICKNESSES



MEASUREMENTS

Standard Length:	240 mm
Standard Width:	124 mm
Standard Height:	60 mm
Piece Area dm ² :	2.97
Used Pieces Per Square Meter:	40

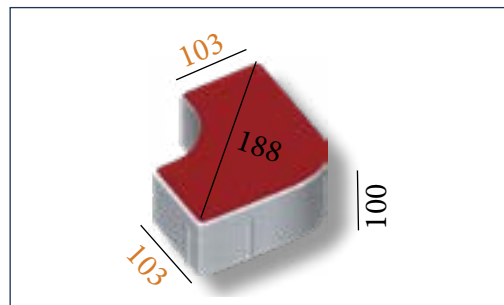
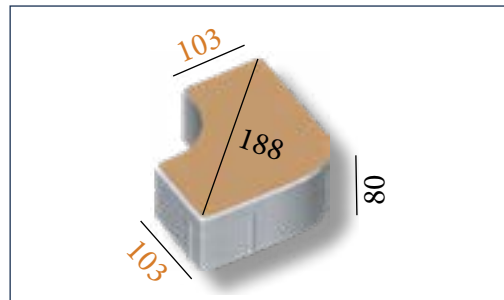


PRK - 10 / INTERLOCKING BLOCK

STANDARD: 188 x 103 x 60 mm



THICKNESSES

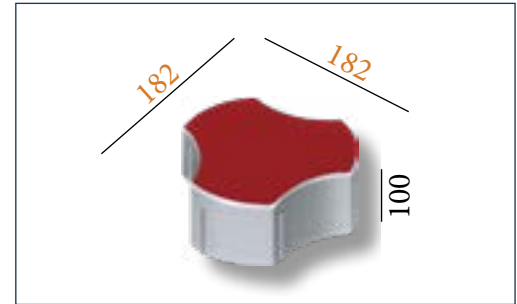
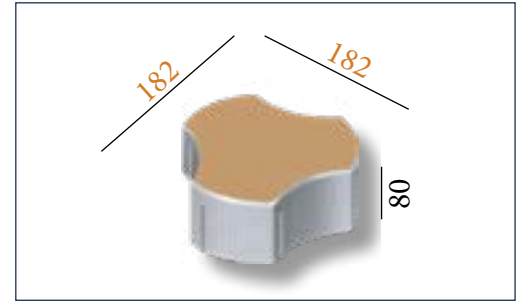


MEASUREMENTS

Standard Length:	188 mm
Standard Width:	103 mm
Standard Height:	60 mm
Piece Area dm ² :	1.93
Used Pieces Per Square Meter:	35



THICKNESSES



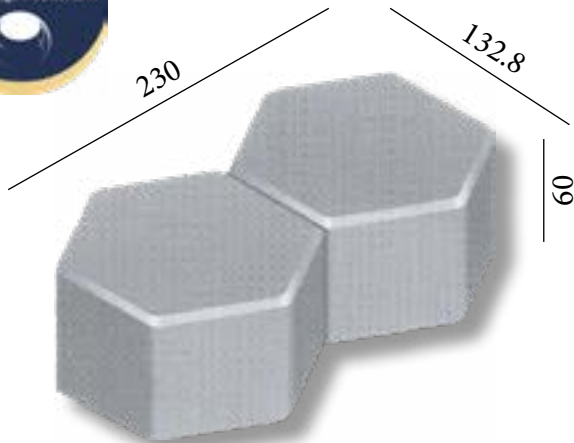
MEASUREMENTS

Standard Length:	182 mm
Standard Width:	182 mm
Standard Height:	60 mm
Piece Area dm ² :	3.31
Used Pieces Per Square Meter:	35

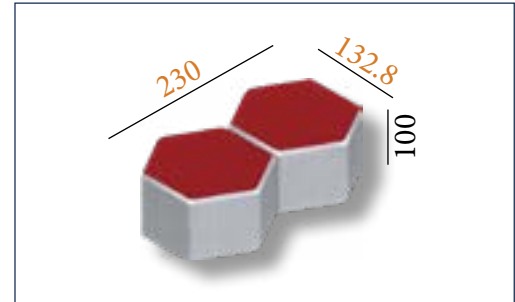
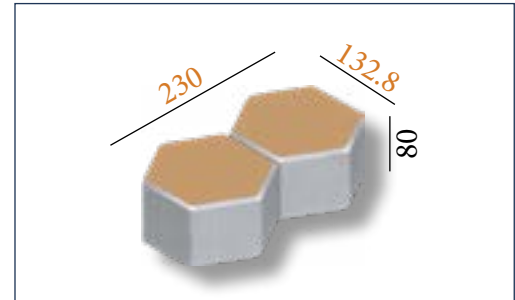


PRK - 11 / INTERLOCKING BLOCK
 STANDARD: 182 x 182 x 60 mm





THICKNESSES



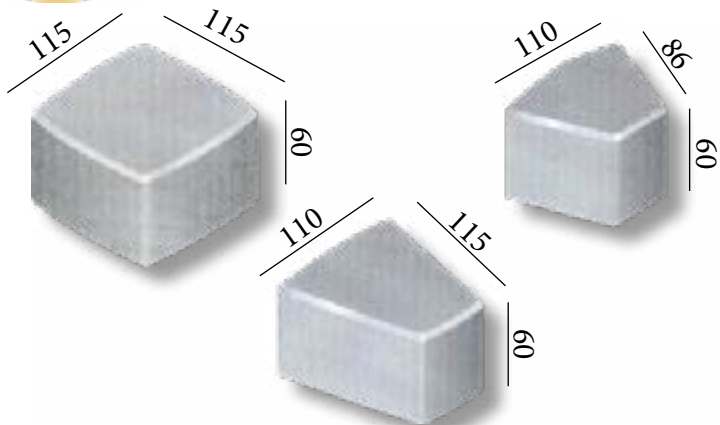
MEASUREMENTS

Standard Length:	230 mm
Standard Width:	132.8 mm
Standard Height:	60 mm
Piece Area dm ² :	3.03
Used Pieces Per Square Meter:	44

PRK - 12 / INTERLOCKING BLOCK

STANDARD: 230 x 132.8 x 60 mm



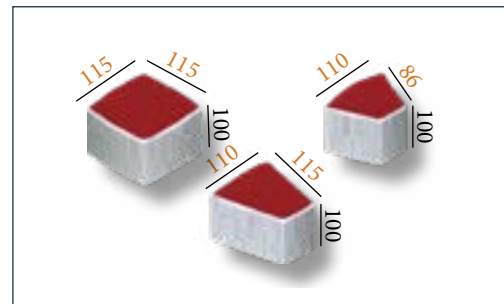
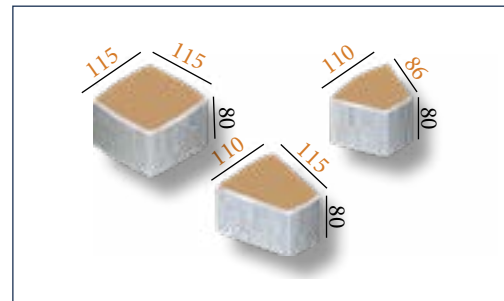


PRK - 13 / INTERLOCKING BLOCK

STANDARD: 115 x 115 / 110 x 115 / 110 x 86 / x 60 mm

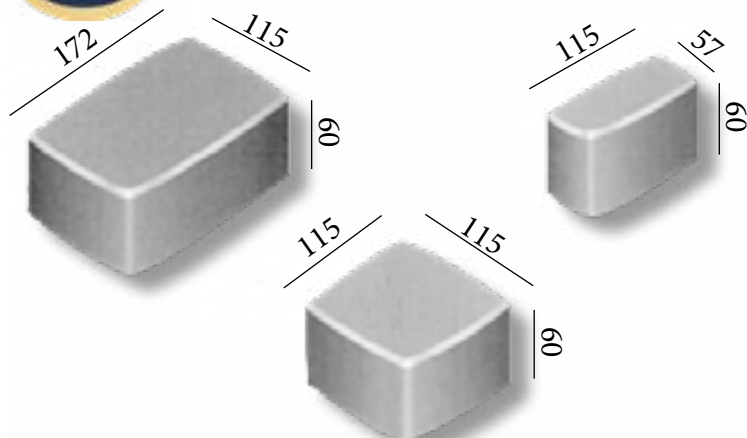


THICKNESSES



MEASUREMENTS

Standard Length:	115 / 110 / 110 mm
Standard Width:	115 / 115 / 86 mm
Standard Height:	60 mm
Piece Area dm ² :	1.32 / 1.26 / 0.94
Used Pieces Per Square Meter:	78 / 105 / 148

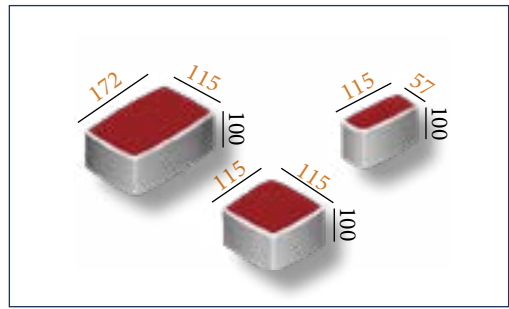
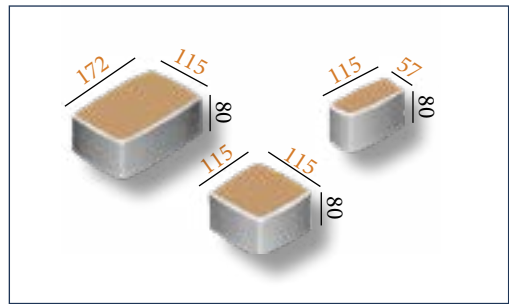


PRK - 14 / INTERLOCKING BLOCK
 STANDARD: 172 x 115 / 115 x 115 / 115 x 57 / x 60 mm



www.megamoulds.com

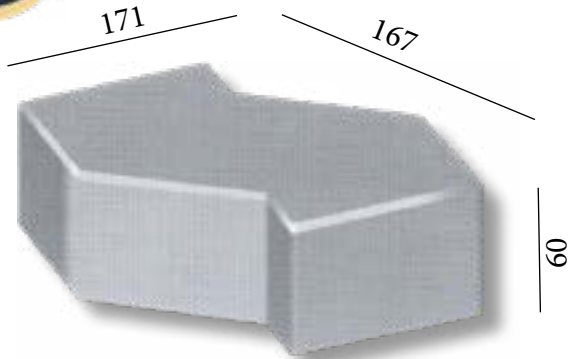
THICKNESSES



MEASUREMENTS

Standard Length:	172 / 115 / 115 mm
Standard Width:	115 / 115 / 57 mm
Standard Height:	60 mm
Piece Area dm²:	1.97 / 1.32 / 0.65
Used Pieces Per Square Meter:	53 / 80 / 168

+90 545 347 17 61
 +90 542 359 67 64
 +90 542 359 67 50
 +90 542 359 67 37
 +90 542 359 67 53
 +90 542 359 67 92

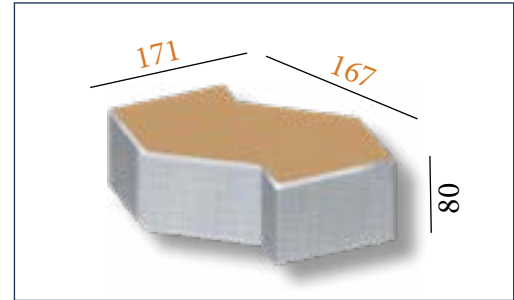


PRK - 15 / INTERLOCKING BLOCK

STANDARD: 171 x 167 x 60 mm

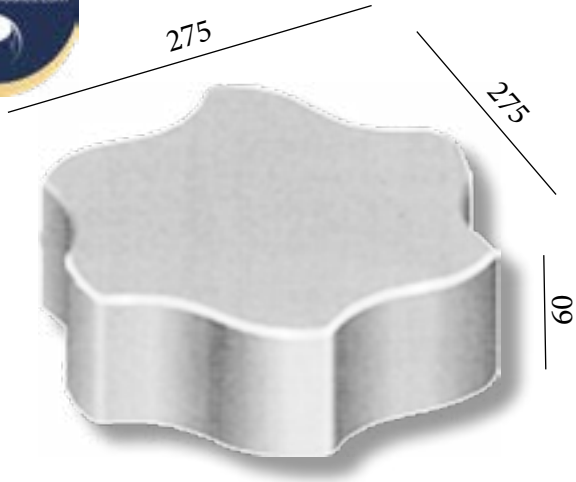


THICKNESSES



MEASUREMENTS

Standard Length:	171 mm
Standard Width:	167 mm
Standard Height:	60 mm
Piece Area dm ² :	2.85
Used Pieces Per Square Meter:	52

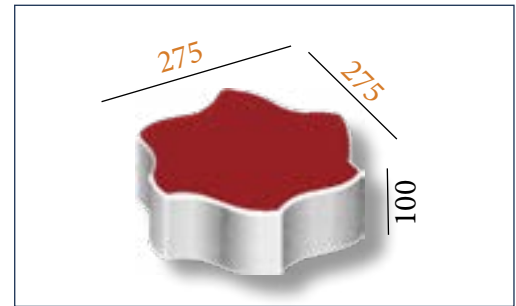
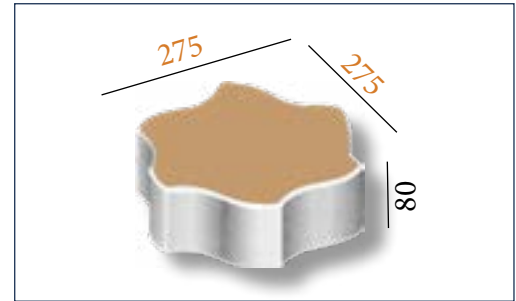


PRK - 16 / INTERLOCKING BLOCK

STANDARD: 275 x 275 x 60 mm



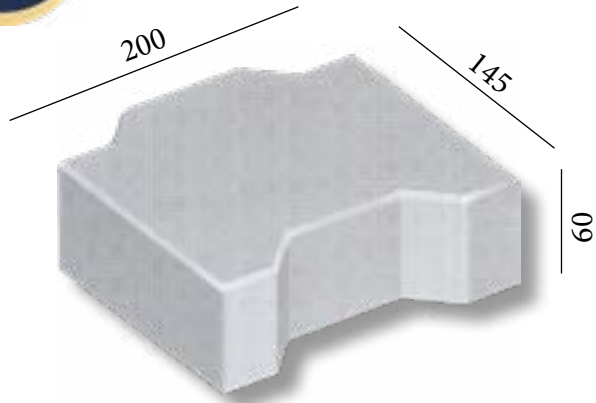
THICKNESSES



MEASUREMENTS

Standard Length:	275 mm
Standard Width:	275 mm
Standard Height:	60 mm
Piece Area dm ² :	7.56
Used Pieces Per Square Meter:	12



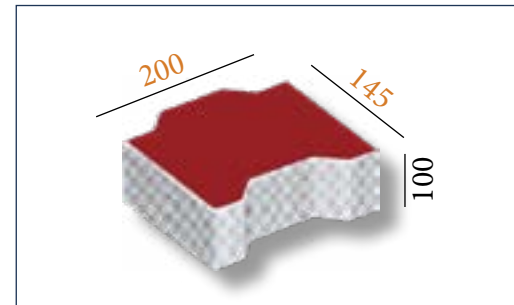
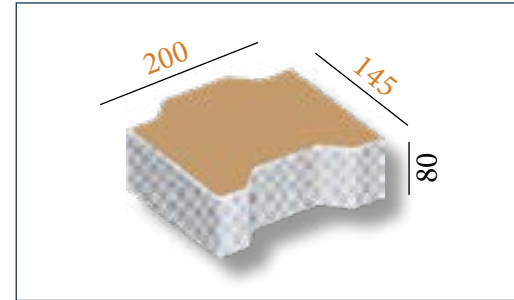


PRK - 17 / INTERLOCKING BLOCK

STANDARD: 200 x 145 x 60 mm

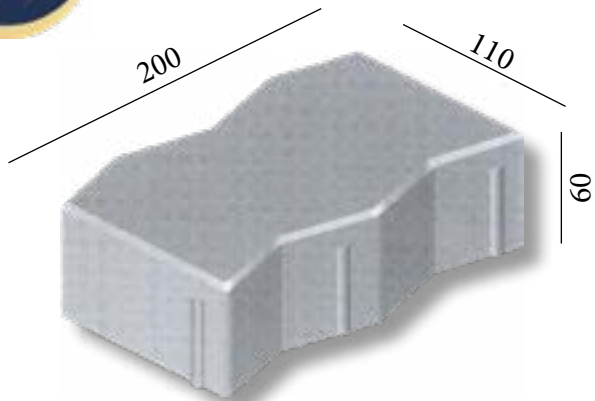


THICKNESSES



MEASUREMENTS

Standard Length:	200 mm
Standard Width:	145 mm
Standard Height:	60 mm
Piece Area dm ² :	2.90
Used Pieces Per Square Meter:	34



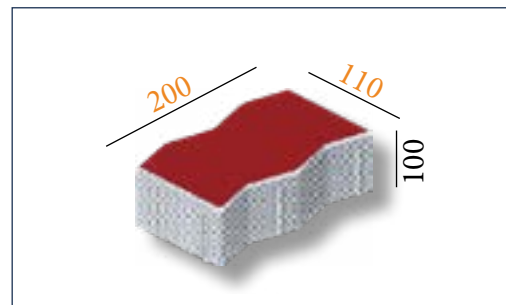
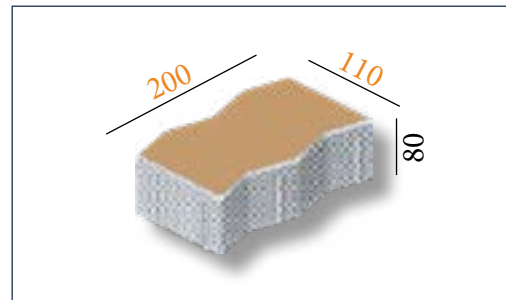
PRK - 18 / INTERLOCKING BLOCK

STANDARD: 200 x 110 x 60 mm



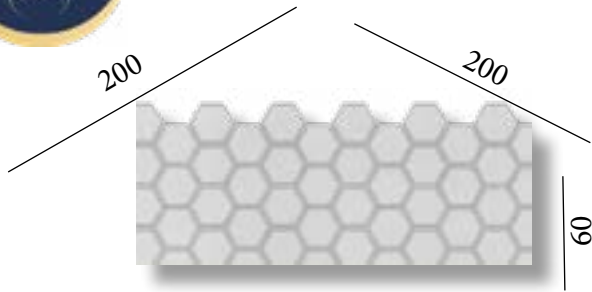
www.megamoulds.com

THICKNESSES



MEASUREMENTS

Standard Length:	200 mm
Standard Width:	110 mm
Standard Height:	60 mm
Piece Area dm ² :	2.20
Used Pieces Per Square Meter:	45



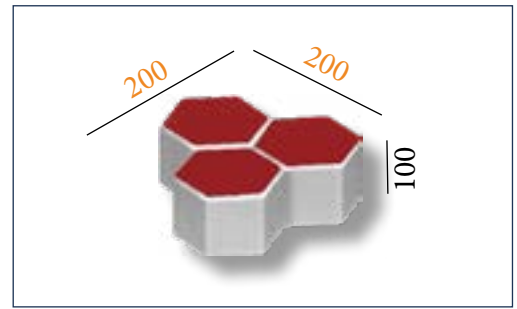
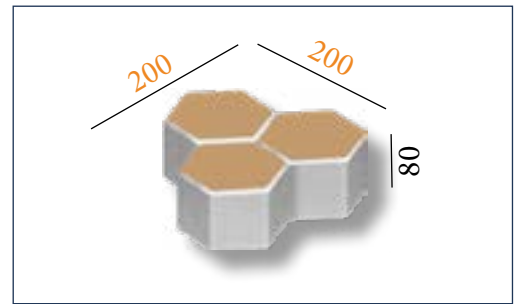
PRK - 19 / INTERLOCKING BLOCK

STANDARD: 200 x 200 x 60 mm



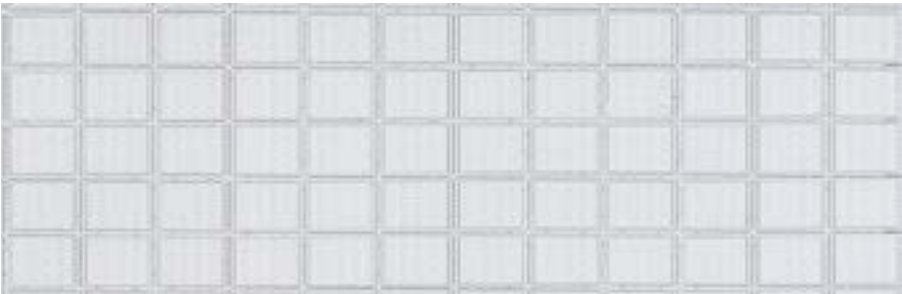
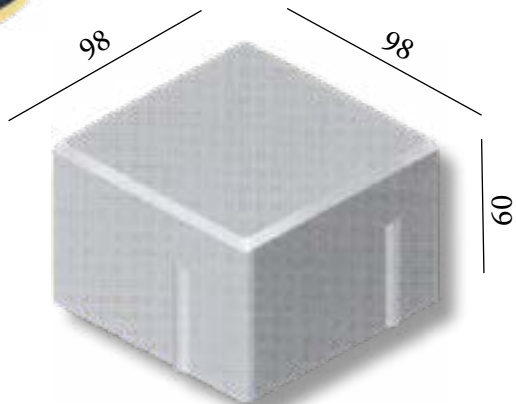
www.megamoulds.com

THICKNESSES



MEASUREMENTS

Standard Length:	200 mm
Standard Width:	200 mm
Standard Height:	60 mm
Piece Area dm ² :	4.00
Used Pieces Per Square Meter:	25



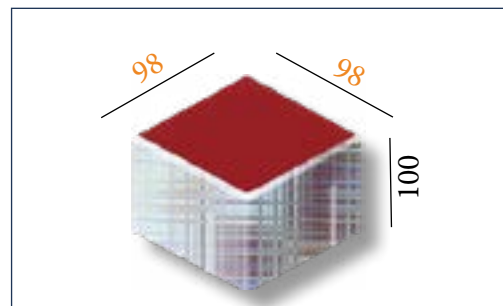
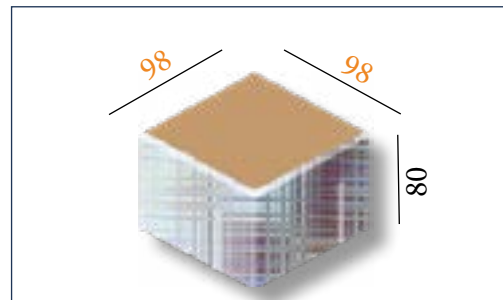
PRK - 20 / INTERLOCKING BLOCK

STANDARD: 98 x 98 x 60 mm




www.megamoulds.com

THICKNESSES

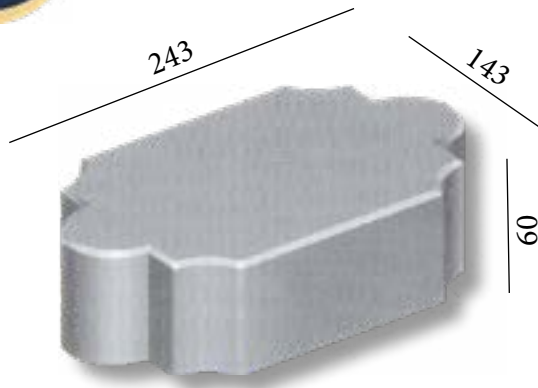


MEASUREMENTS

Standard Length:	98 mm
Standard Width:	98 mm
Standard Height:	60 mm
Piece Area dm ² :	0.96
Used Pieces Per Square Meter:	103

 +90 545 347 17 61
  +90 542 359 67 64
  +90 542 359 67 50
 +90 542 359 67 37
  +90 542 359 67 53
  +90 542 359 67 92

020

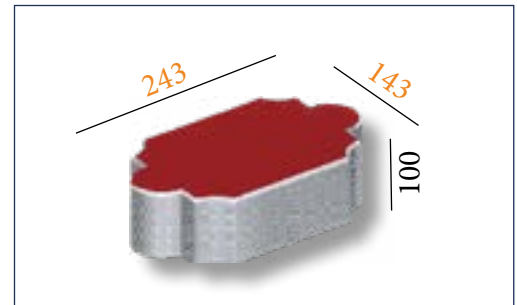
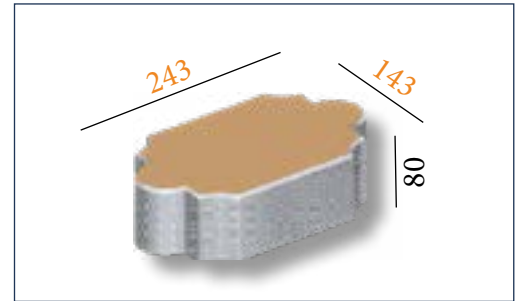


PRK - 21 / INTERLOCKING BLOCK

STANDARD: 243 x 143 x 60 mm

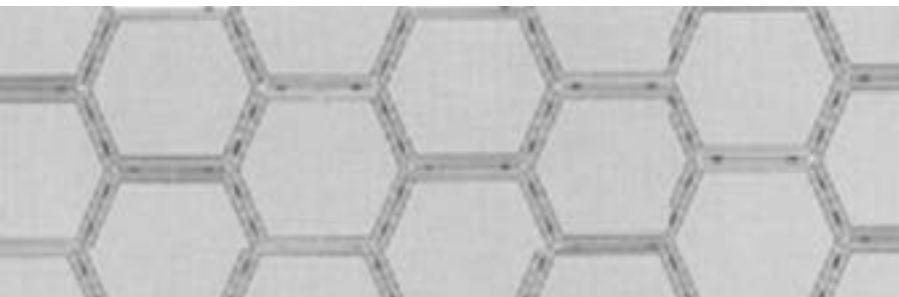
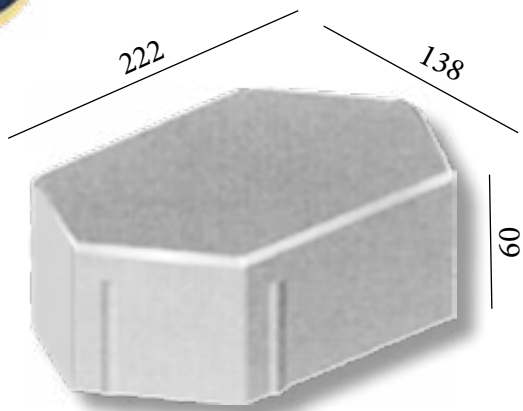


THICKNESSES



MEASUREMENTS

Standard Length:	243 mm
Standard Width:	143 mm
Standard Height:	60 mm
Piece Area dm ² :	3,47
Used Pieces Per Square Meter:	36



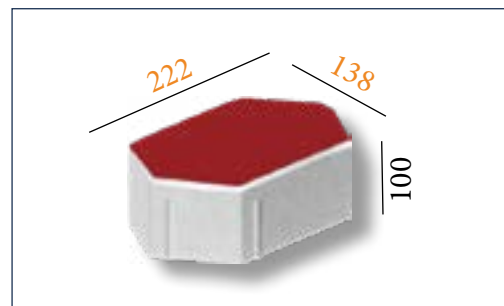
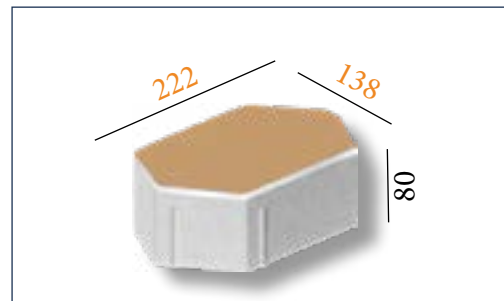
PRK - 22 / INTERLOCKING BLOCK

STANDARD: 222 x 138 x 60 mm



www.megamoulds.com

THICKNESSES



MEASUREMENTS

Standard Length:	222 mm
Standard Width:	138 mm
Standard Height:	60 mm
Piece Area dm ² :	3.06
Used Pieces Per Square Meter:	42



+90 545 347 17 61



+90 542 359 67 64



+90 542 359 67 50



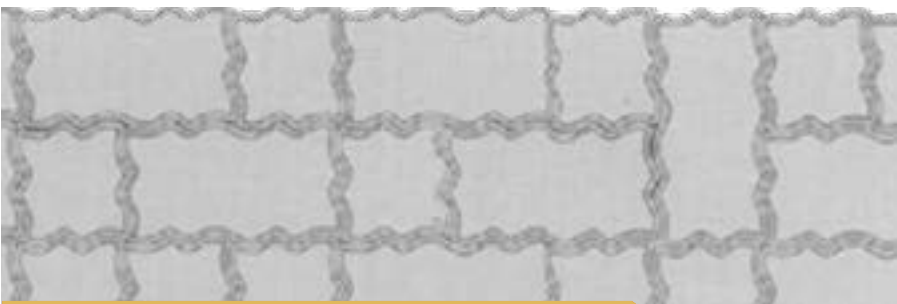
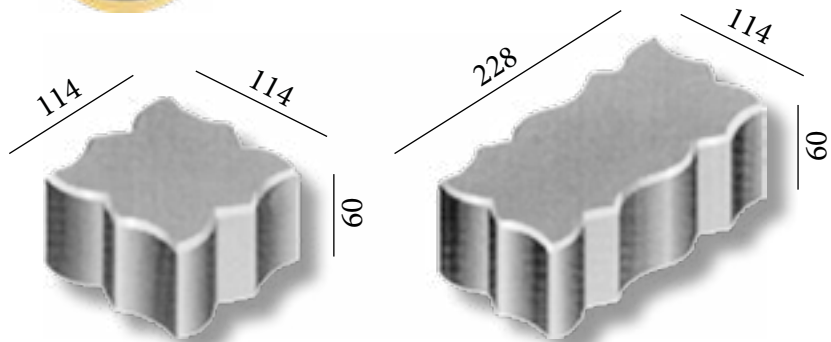
+90 542 359 67 37



+90 542 359 67 53



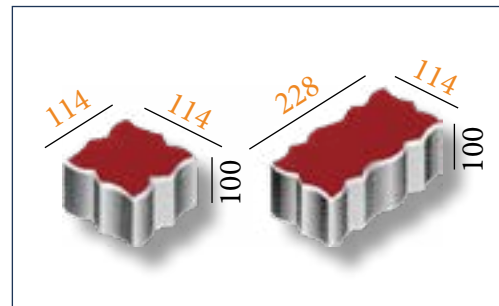
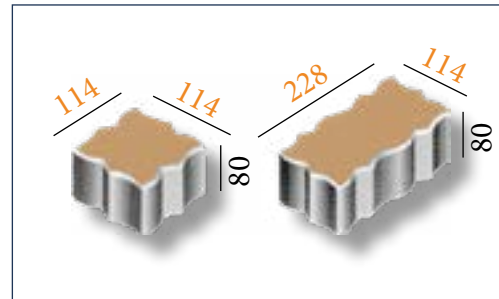
+90 542 359 67 92



PRK - 23 / INTERLOCKING BLOCK
STANDARD: 114 x 228 / 114 x 114 x 60 mm

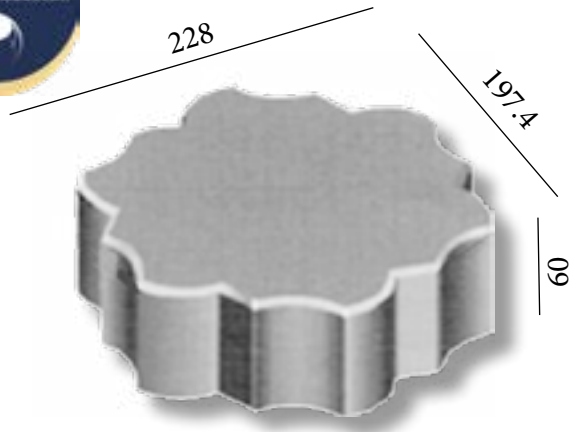


THICKNESSES



MEASUREMENTS

Standard Length:	114 / 228 mm
Standard Width:	114 / 114 mm
Standard Height:	60 mm
Piece Area dm ² :	1.29 / 2.59
Used Pieces Per Square Meter:	80 / 39



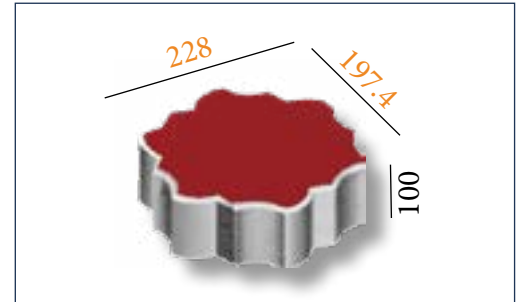
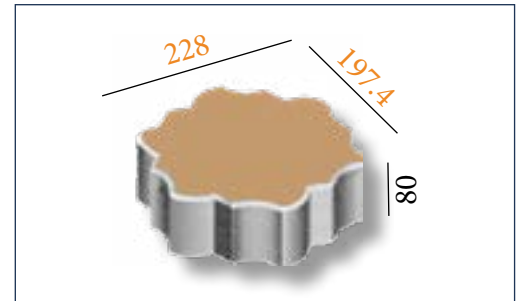
PRK - 24 / INTERLOCKING BLOCK

STANDARD: 228 x 197.4 x 60 mm



www.megamoulds.com

THICKNESSES



MEASUREMENTS

Standard Length:	228 mm
Standard Width:	197.4 mm
Standard Height:	60 mm
Piece Area dm ² :	4.49
Used Pieces Per Square Meter:	30



+90 545 347 17 61



+90 542 359 67 64



+90 542 359 67 50



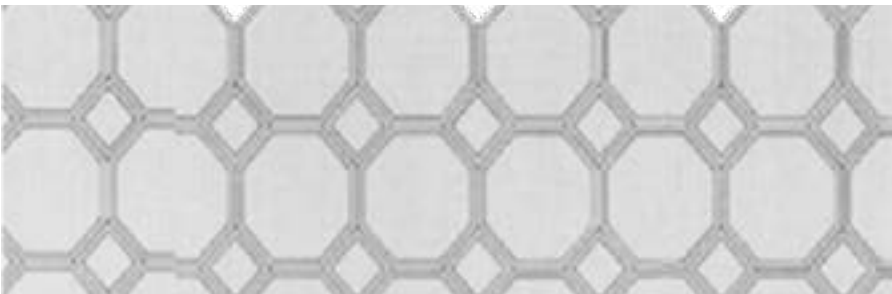
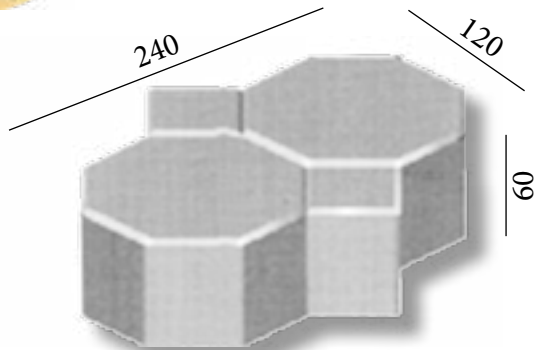
+90 542 359 67 37



+90 542 359 67 53



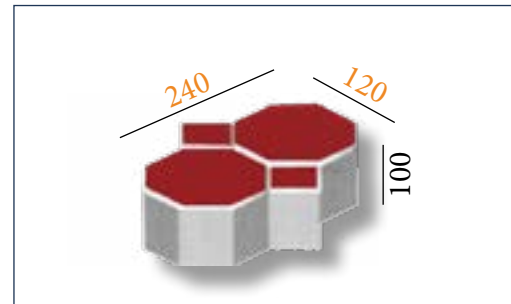
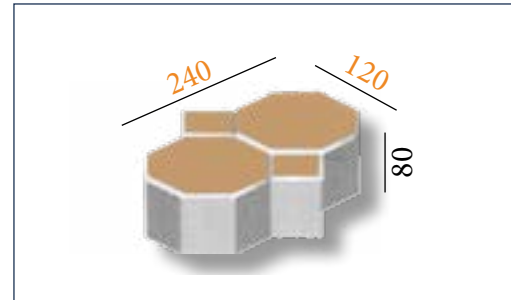
+90 542 359 67 92



PRK - 25 / INTERLOCKING BLOCK
STANDARD: 240 x 120 x 60 mm

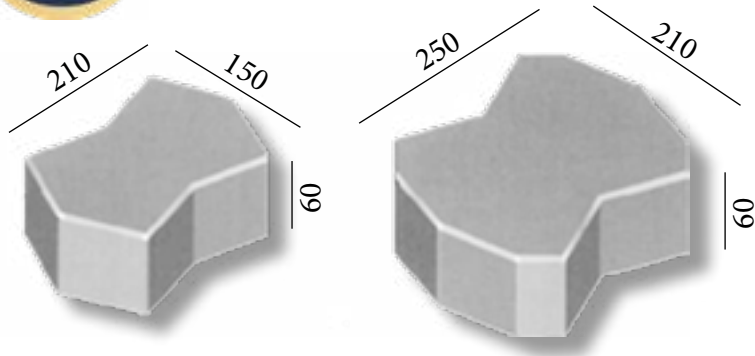


THICKNESSES

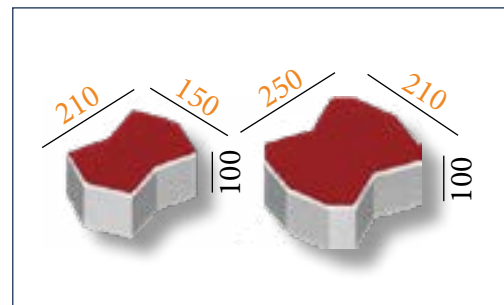
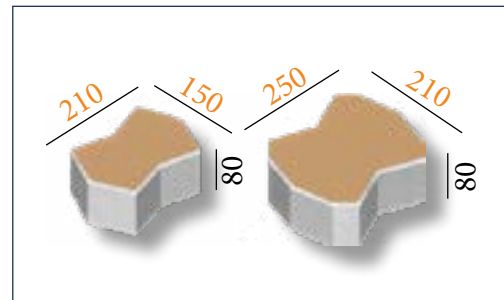


MEASUREMENTS

Standard Length:	240 mm
Standard Width:	120 mm
Standard Height:	60 mm
Piece Area dm ² :	2.88
Used Pieces Per Square Meter:	34



THICKNESSES



MEASUREMENTS

Standard Length:	210 / 250 mm
Standard Width:	150 / 210 mm
Standard Height:	60 mm
Piece Area dm ² :	3.15 / 5.25
Used Pieces Per Square Meter:	42 / 24

PRK - 26 / INTERLOCKING BLOCK

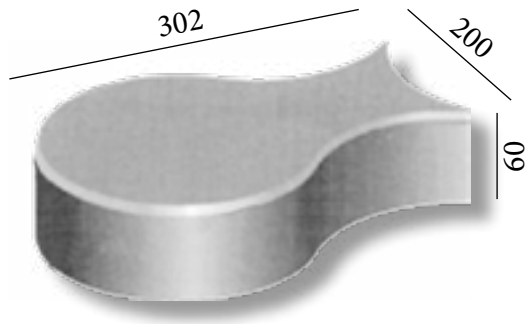
STANDARD: 210 x 250 / 150 x 210 x 60 mm



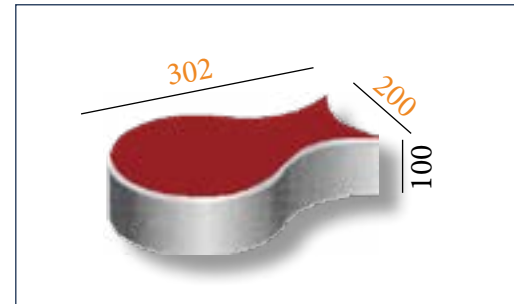
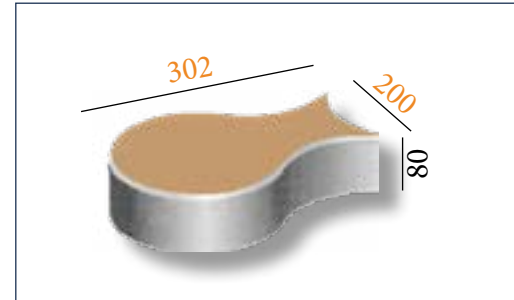
www.megamoulds.com

+90 545 347 17 61
 +90 542 359 67 64
 +90 542 359 67 50
 +90 542 359 67 37
 +90 542 359 67 53
 +90 542 359 67 92

026



THICKNESSES

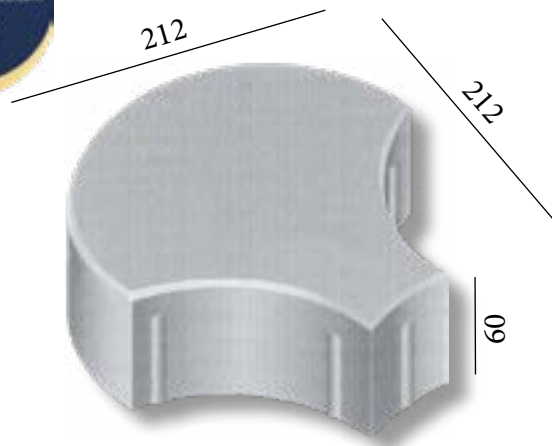


MEASUREMENTS

Standard Length:	302 mm
Standard Width:	200 mm
Standard Height:	60 mm
Piece Area dm ² :	6.04
Used Pieces Per Square Meter:	24

PRK - 27 / INTERLOCKING BLOCK
STANDARD: 302 x 200 x 60 mm



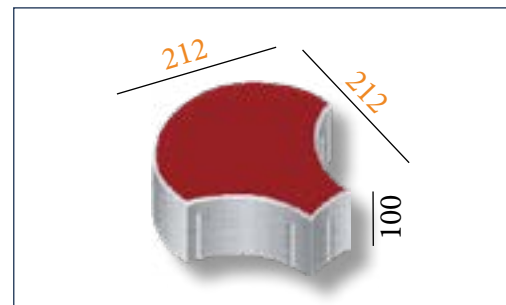
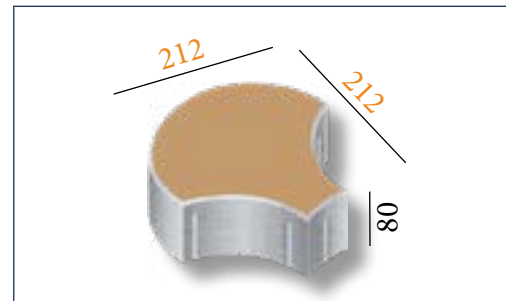


PRK - 28 / INTERLOCKING BLOCK
 STANDARD: 212 x 212 x 60 mm



www.megamoulds.com

THICKNESSES

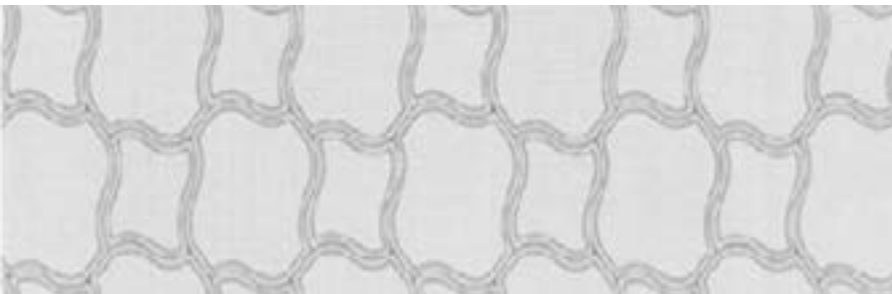
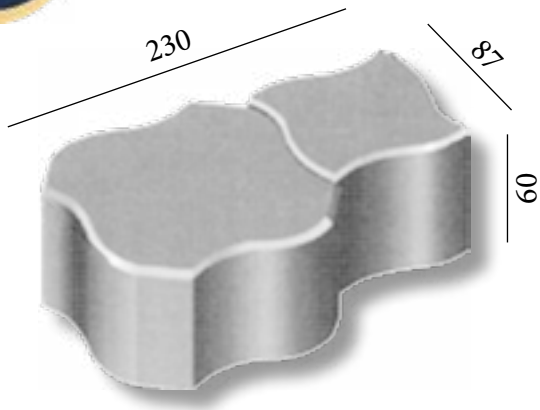


MEASUREMENTS

Standard Length:	212 mm
Standard Width:	212 mm
Standard Height:	60 mm
Piece Area dm ² :	4.49
Used Pieces Per Square Meter:	42

+90 545 347 17 61
 +90 542 359 67 64
 +90 542 359 67 50
 +90 542 359 67 37
 +90 542 359 67 53
 +90 542 359 67 92

028



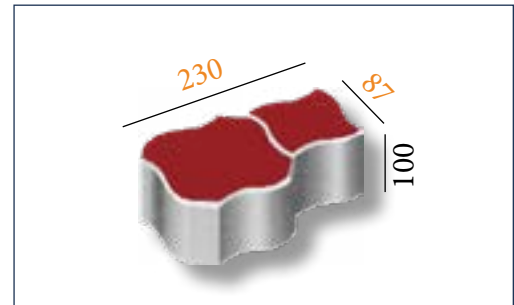
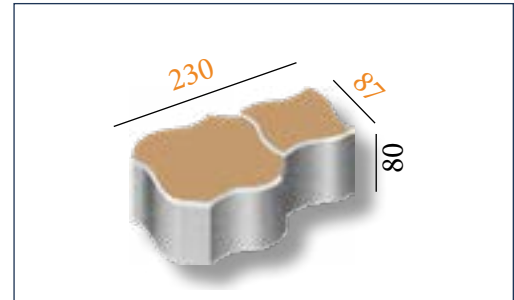
PRK - 29 / INTERLOCKING BLOCK
 STANDARD: 230 x 87 x 60 mm



www.megamoulds.com

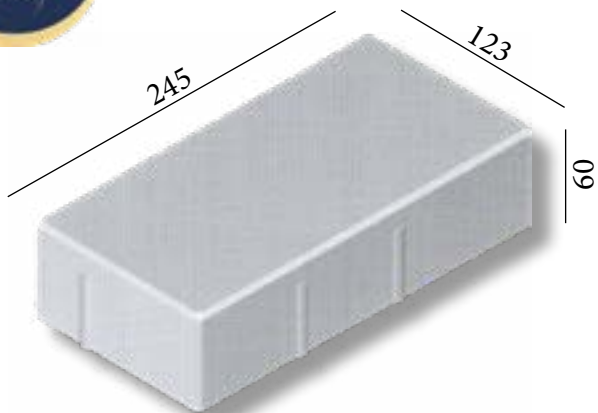
029

THICKNESSES



MEASUREMENTS

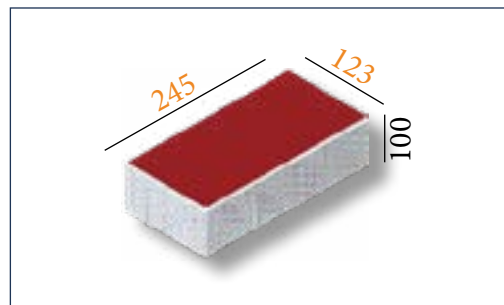
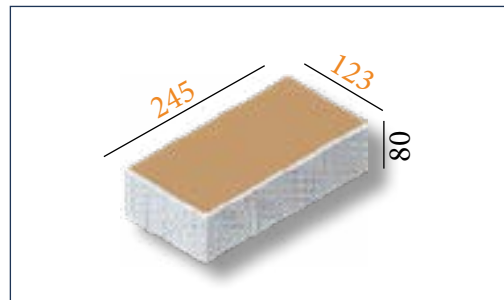
Standard Length:	230 mm
Standard Width:	87 mm
Standard Height:	60 mm
Piece Area dm ² :	2.00
Used Pieces Per Square Meter:	43



PRK - 30 / INTERLOCKING BLOCK
 STANDARD: 245 x 123 x 60 mm

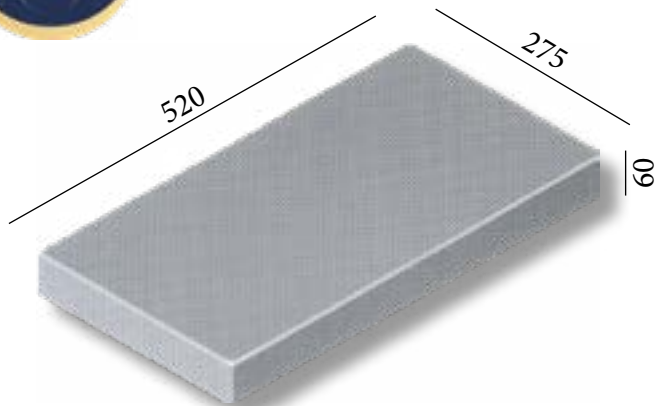


THICKNESSES



MEASUREMENTS

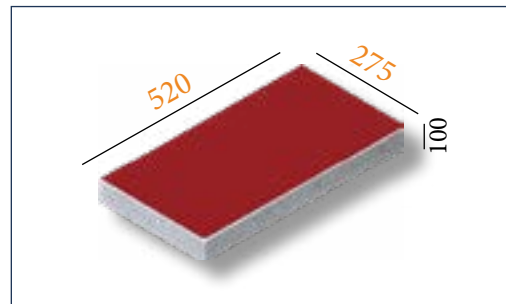
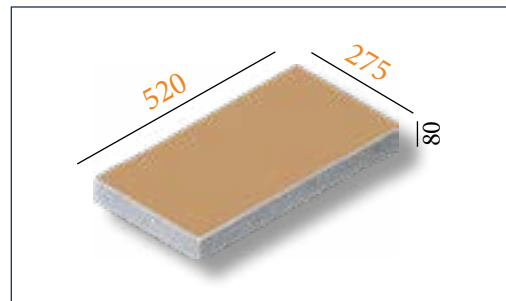
Standard Length:	245 mm
Standard Width:	123 mm
Standard Height:	60 mm
Piece Area dm ² :	3.01
Used Pieces Per Square Meter:	36



PRK - 31 / INTERLOCKING BLOCK
STANDARD: 520 x 275 x 60 mm

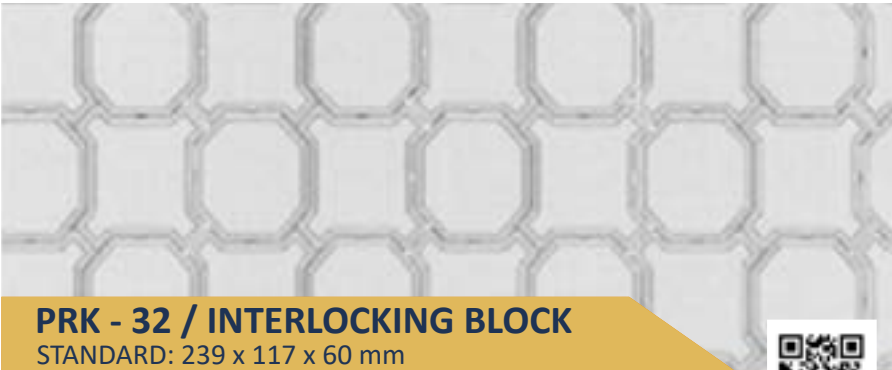
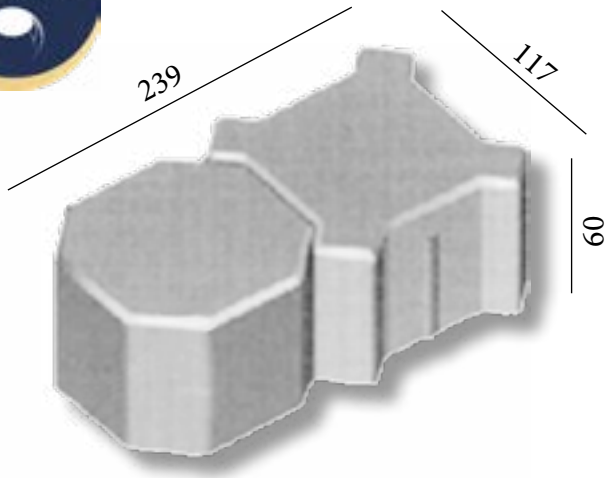


THICKNESSES



MEASUREMENTS

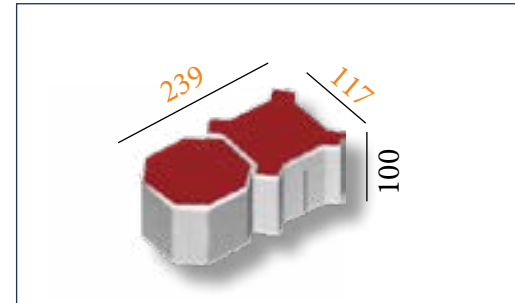
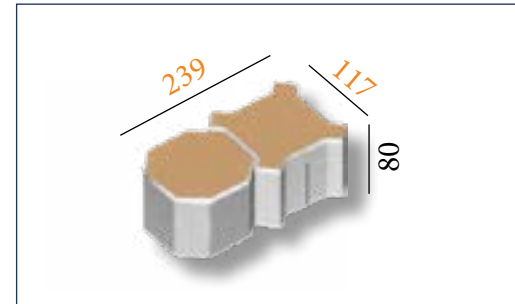
Standard Length:	520 mm
Standard Width:	275 mm
Standard Height:	60 mm
Piece Area dm ² :	14.3
Used Pieces Per Square Meter:	7



PRK - 32 / INTERLOCKING BLOCK
STANDARD: 239 x 117 x 60 mm

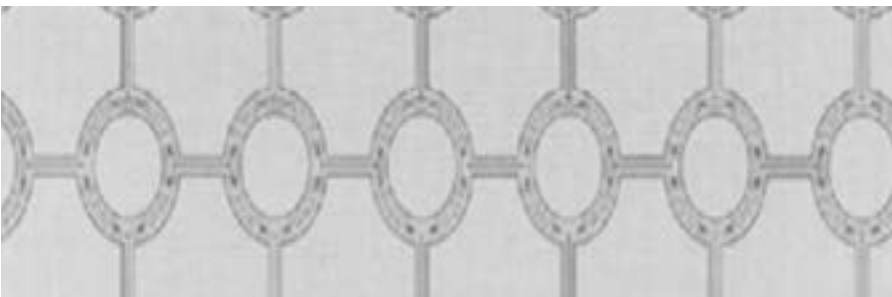
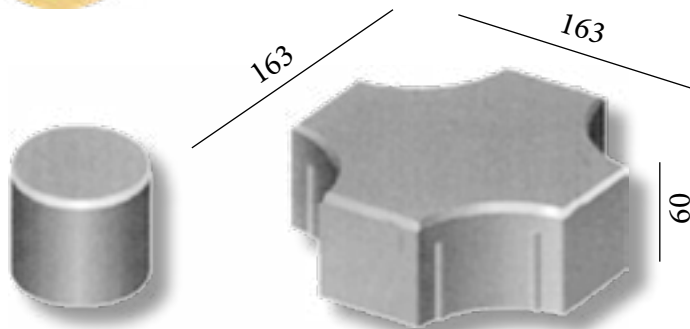


THICKNESSES



MEASUREMENTS

Standard Length:	239 mm
Standard Width:	117 mm
Standard Height:	60 mm
Piece Area dm ² :	2.80
Used Pieces Per Square Meter:	39



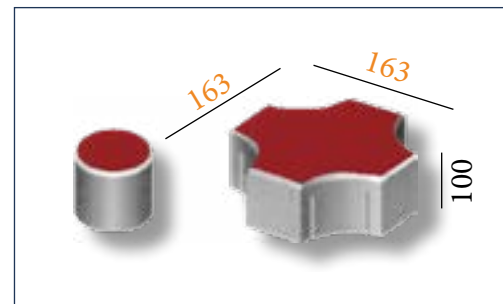
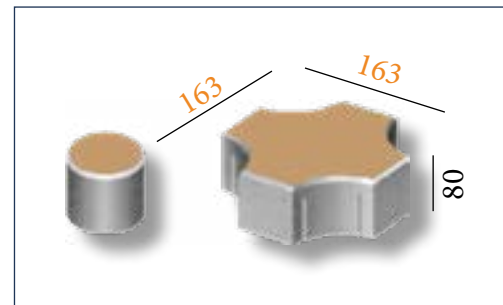
PRK - 33 / INTERLOCKING BLOCK
 STANDARD: 163 x 163 x 60 mm



www.megamoulds.com

033

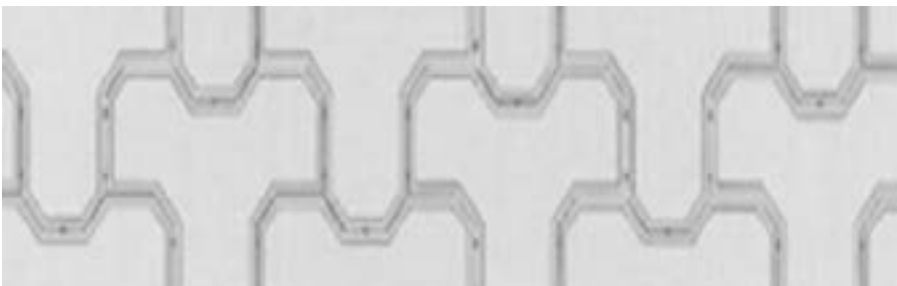
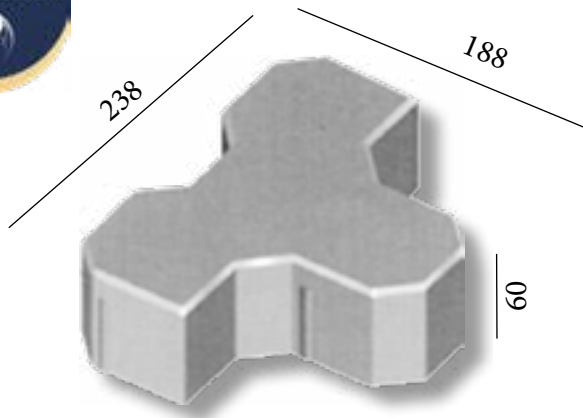
THICKNESSES



MEASUREMENTS

Standard Length:	163 mm
Standard Width:	163 mm
Standard Height:	60 mm
Piece Area dm ² :	2.65
Used Pieces Per Square Meter:	42

+90 545 347 17 61
 +90 542 359 67 64
 +90 542 359 67 50
 +90 542 359 67 37
 +90 542 359 67 53
 +90 542 359 67 92

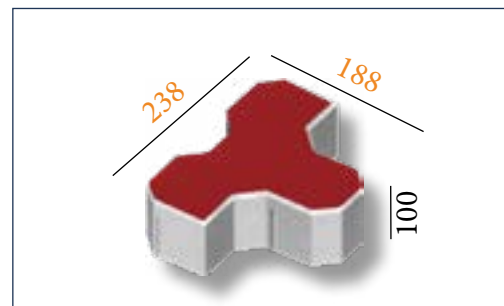
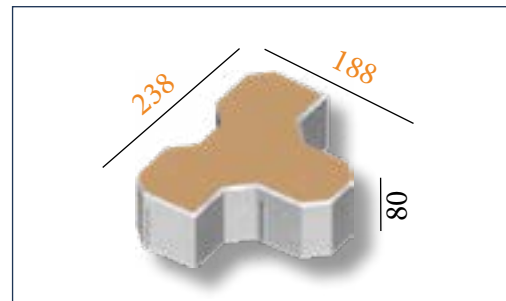


PRK - 34 / INTERLOCKING BLOCK
 STANDARD: 238 x 188 x 60 mm



www.megamoulds.com

THICKNESSES

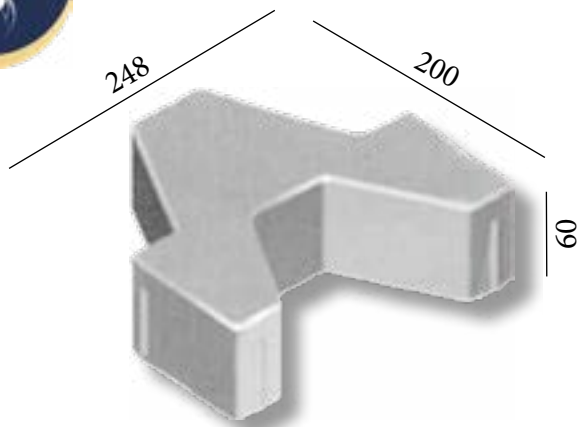


MEASUREMENTS

Standard Length:	238 mm
Standard Width:	188 mm
Standard Height:	60 mm
Piece Area dm ² :	4.47
Used Pieces Per Square Meter:	35

 +90 545 347 17 61
  +90 542 359 67 64
  +90 542 359 67 50
 +90 542 359 67 37
  +90 542 359 67 53
  +90 542 359 67 92

034

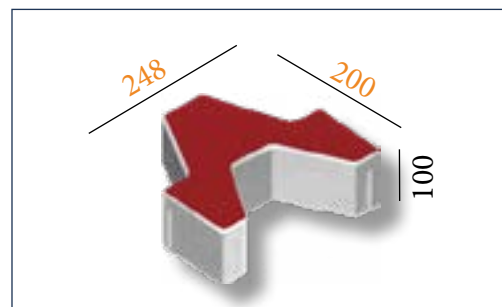
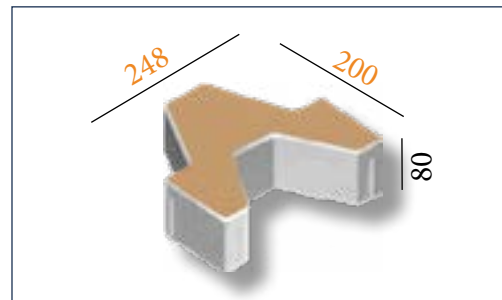


PRK - 35 / INTERLOCKING BLOCK

STANDARD: 248 x 200 x 60 mm

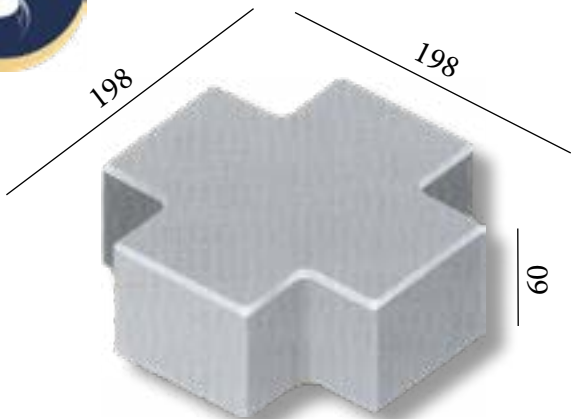


THICKNESSES



MEASUREMENTS

Standard Length:	248 mm
Standard Width:	200 mm
Standard Height:	60 mm
Piece Area dm ² :	4.96
Used Pieces Per Square Meter:	34



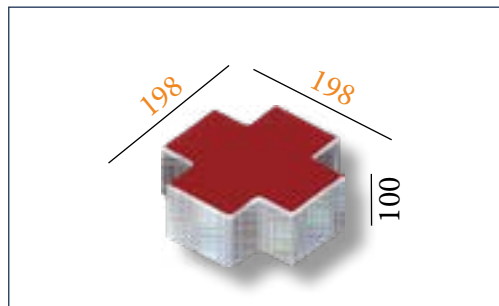
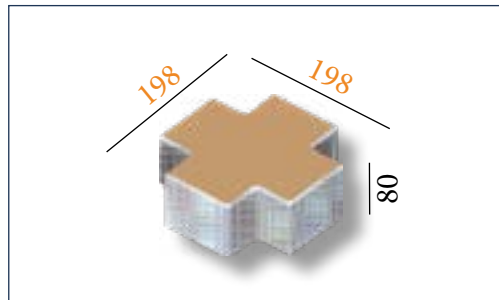
PRK - 36 / INTERLOCKING BLOCK

STANDARD: 198 x 198 x 60 mm



www.megamoulds.com

THICKNESSES



MEASUREMENTS

Standard Length:	198 mm
Standard Width:	198 mm
Standard Height:	60 mm
Piece Area dm ² :	3.92
Used Pieces Per Square Meter:	30



+90 545 347 17 61



+90 542 359 67 64



+90 542 359 67 50



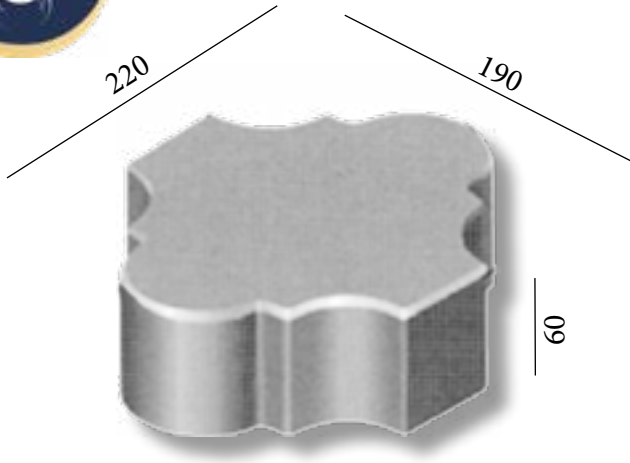
+90 542 359 67 37



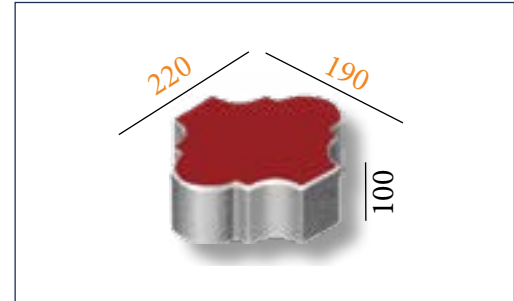
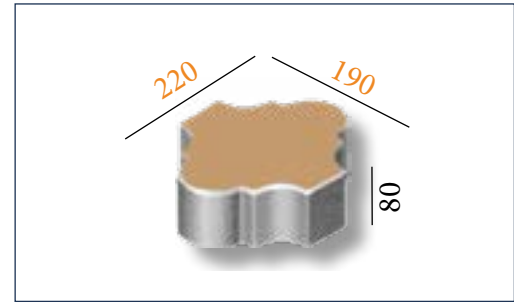
+90 542 359 67 53



+90 542 359 67 92



THICKNESSES



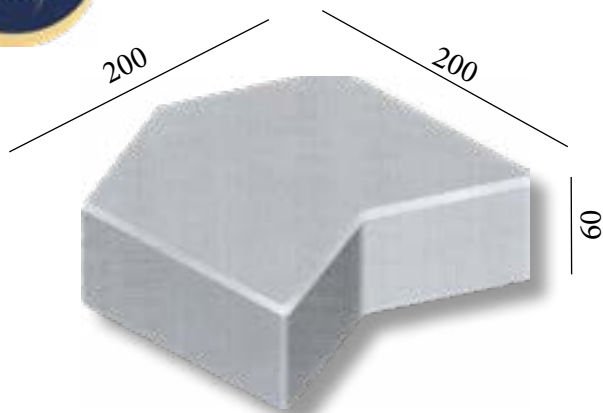
MEASUREMENTS

Standard Length:	220 mm
Standard Width:	190 mm
Standard Height:	60 mm
Piece Area dm ² :	4,18
Used Pieces Per Square Meter:	38

PRK - 37 / INTERLOCKING BLOCK

STANDARD: 220 x 190 x 60 mm



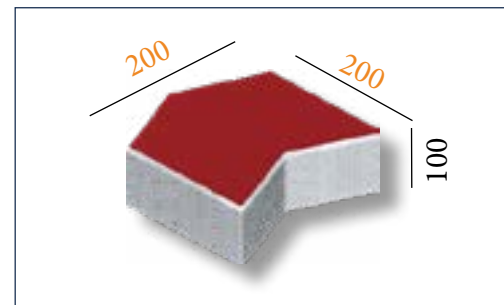
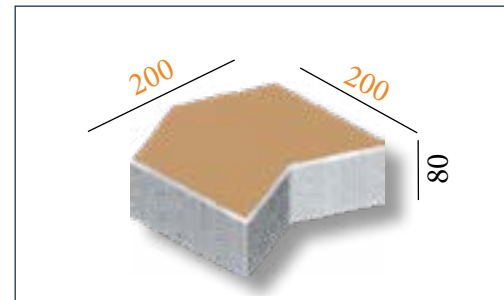


PRK - 38 / INTERLOCKING BLOCK

STANDARD: 200 x 200 x 60 mm

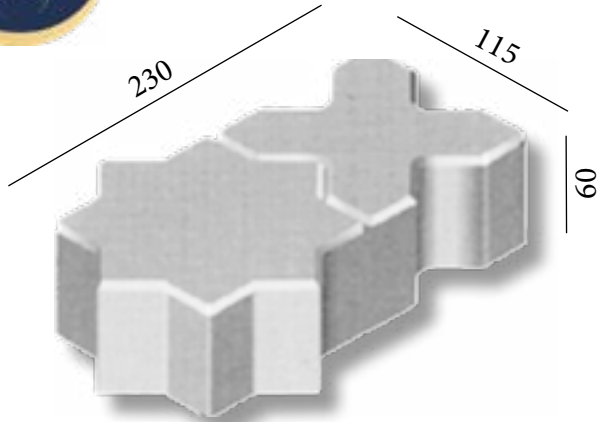


THICKNESSES



MEASUREMENTS

Standard Length:	200 mm
Standard Width:	200 mm
Standard Height:	60 mm
Piece Area dm ² :	4.00
Used Pieces Per Square Meter:	30

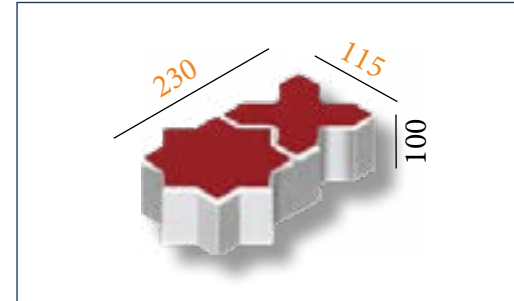
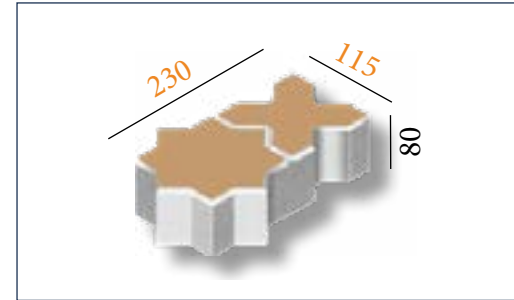


PRK - 39 / INTERLOCKING BLOCK

STANDARD: 230 x 115 x 60 mm



THICKNESSES



MEASUREMENTS

Standard Length:	230 mm
Standard Width:	115 mm
Standard Height:	60 mm
Piece Area dm ² :	2.64
Used Pieces Per Square Meter:	39

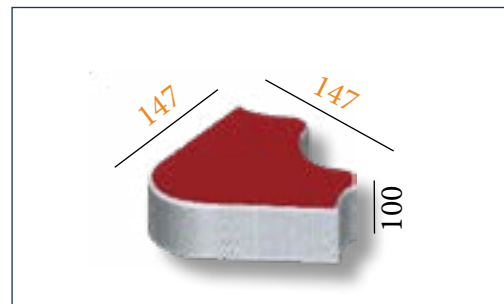
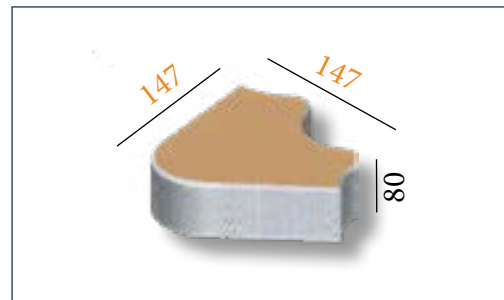


PRK - 40 / INTERLOCKING BLOCK
 STANDARD: 147 x 147 x 60 mm



www.megamoulds.com

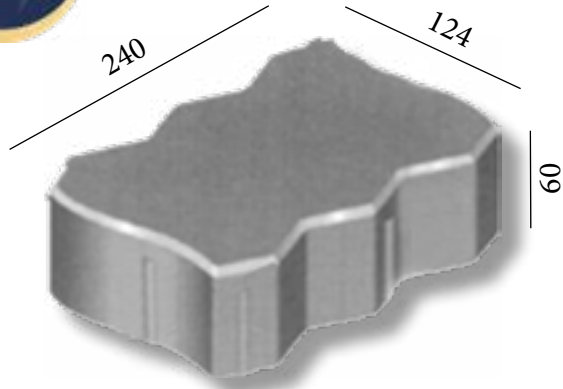
THICKNESSES



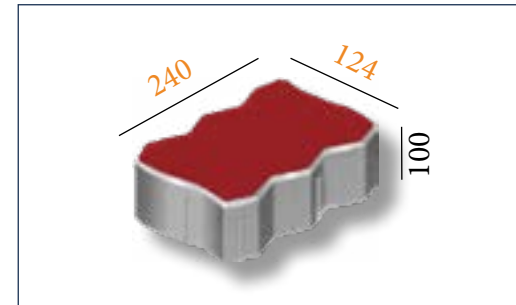
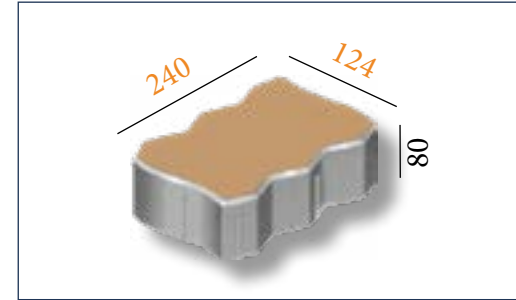
MEASUREMENTS

Standard Length:	147 mm
Standard Width:	147 mm
Standard Height:	60 mm
Piece Area dm ² :	2.16
Used Pieces Per Square Meter:	47

+90 545 347 17 61
 +90 542 359 67 64
 +90 542 359 67 50
 +90 542 359 67 37
 +90 542 359 67 53
 +90 542 359 67 92



THICKNESSES



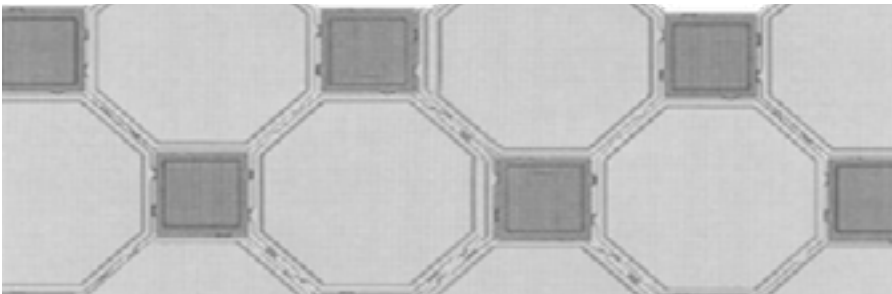
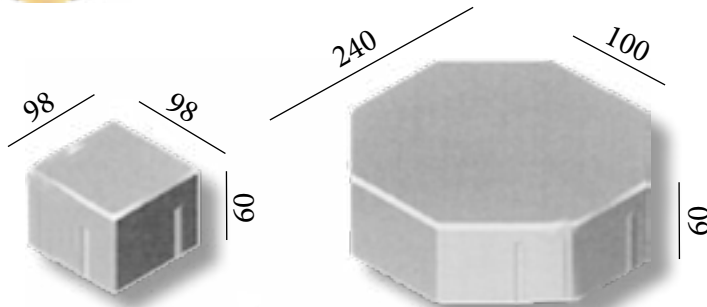
MEASUREMENTS

Standard Length:	240 mm
Standard Width:	124 mm
Standard Height:	60 mm
Piece Area dm ² :	2.97
Used Pieces Per Square Meter:	40

PRK - 41 / INTERLOCKING BLOCK

STANDARD: 240 x 124 x 60 mm



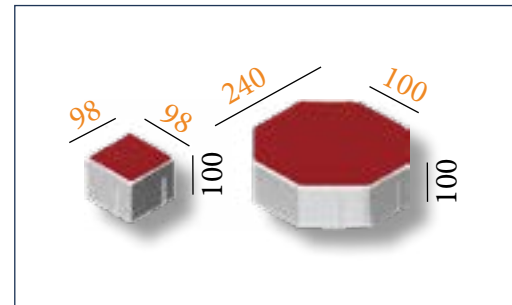
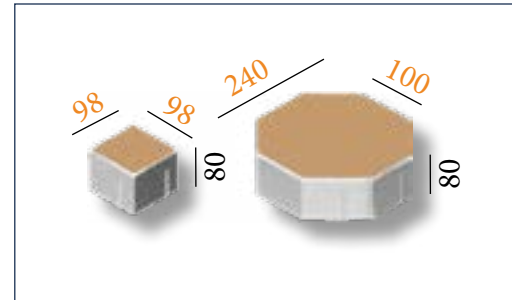


PRK - 42 / INTERLOCKING BLOCK

STANDARD: 98 x 98 / 240 x 100 x 60 mm

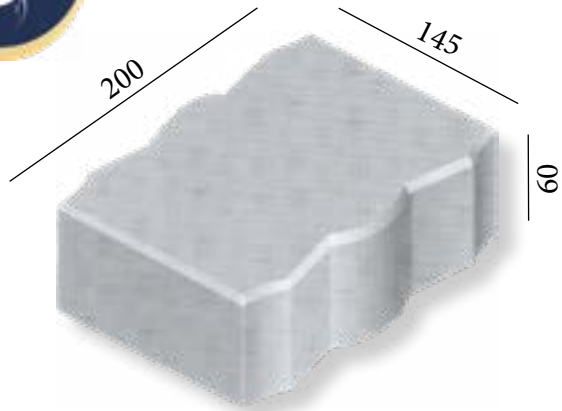


THICKNESSES



MEASUREMENTS

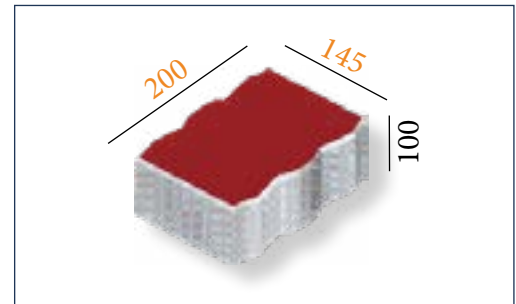
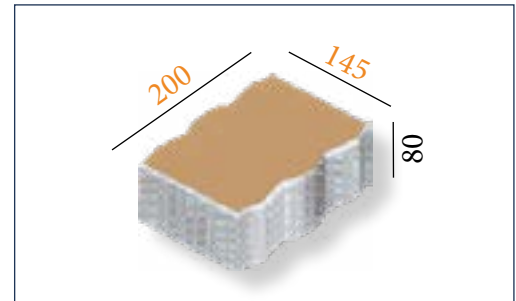
Standard Length:	98 / 240 mm
Standard Width:	98 / 100 mm
Standard Height:	60 mm
Piece Area dm ² :	0.96 / 2.40
Used Pieces Per Square Meter:	103 / 20



PRK - 43 / INTERLOCKING BLOCK
STANDARD: 200 x 145 x 60 mm



THICKNESSES



MEASUREMENTS

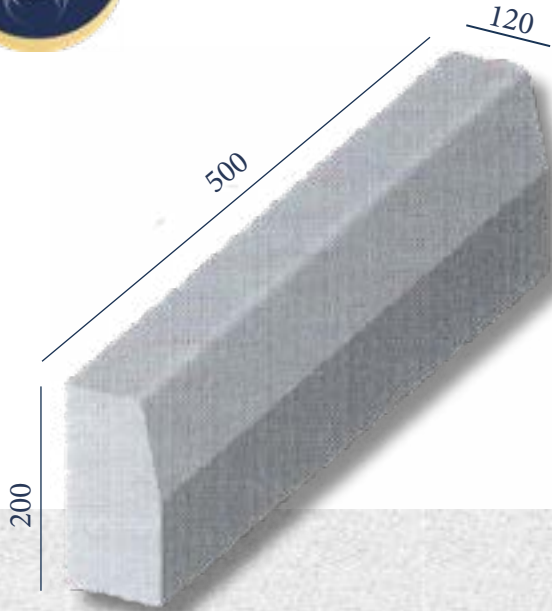
Standard Length:	200 mm
Standard Width:	145 mm
Standard Height:	60 mm
Piece Area dm ² :	2.90
Used Pieces Per Square Meter:	36



www.megamoulds.com



CURBSTONE MOULD SAMPLES



BRD - 01 / GARDEN CURBSTONE

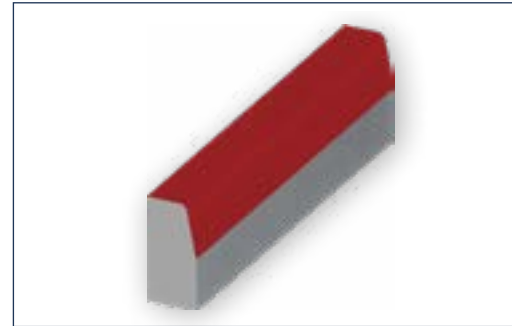
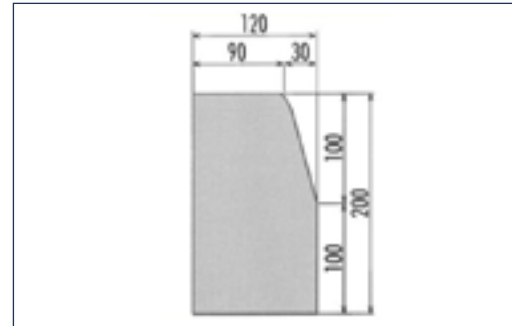
STANDARD: 500 x 120 x 200 mm



www.megamoulds.com

044

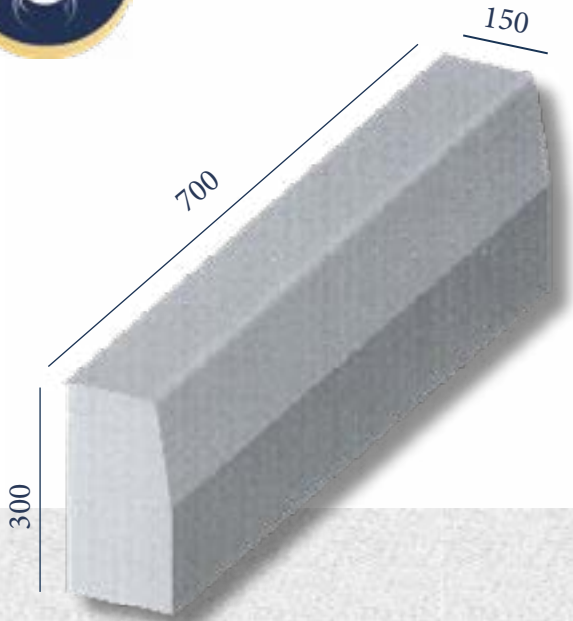
TOP VIEW



MEASUREMENTS

Standard Length:	500 mm	Optional Length:	mm
Standard Width:	120 mm	Optional Width:	mm
Standard Height:	200 mm	Optional Height:.....	mm
Std.bottom cover thickness:	(X)	Std.bottom cover thickness:	(X)

+90 545 347 17 61
 +90 542 359 67 64
 +90 542 359 67 50
 +90 542 359 67 37
 +90 542 359 67 53
 +90 542 359 67 92

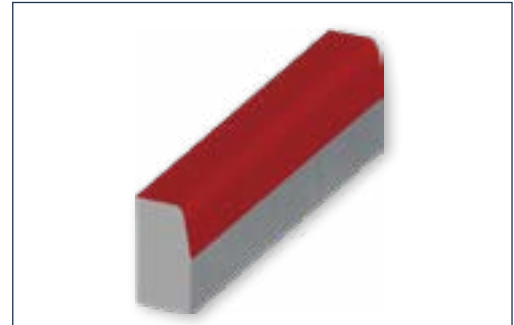
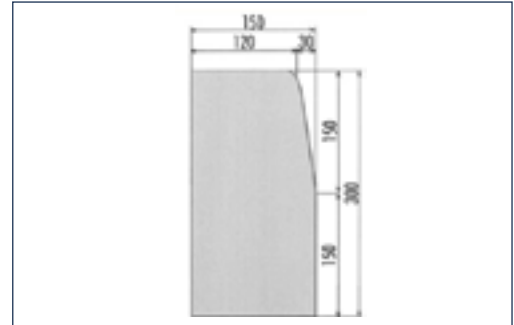


BRD - 02 / MUNICIPALITY CURBSTONE
 STANDARD: 700 x 150 x 300 mm



www.megamoulds.com

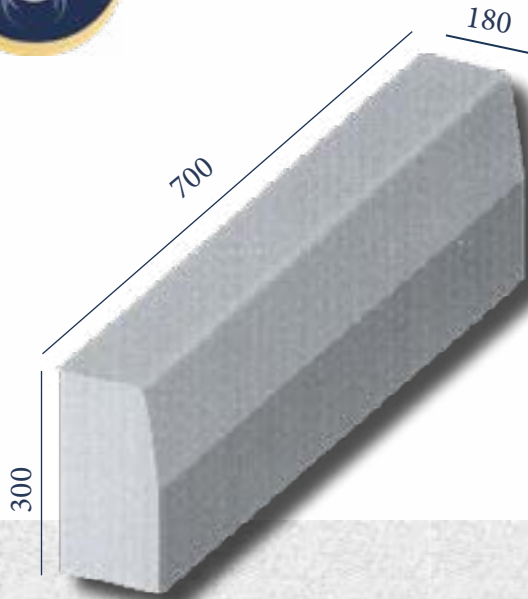
TOP VIEW



MEASUREMENTS

Standard Length:	700 mm	Optional Length:	mm
Standard Width:	150 mm	Optional Width:	mm
Standard Height:	300 mm	Optional Height:.....	mm
Std.bottom cover thickness:	(X)	Std.bottom cover thickness:	(X)

+90 545 347 17 61
 +90 542 359 67 64
 +90 542 359 67 50
 +90 542 359 67 37
 +90 542 359 67 53
 +90 542 359 67 92

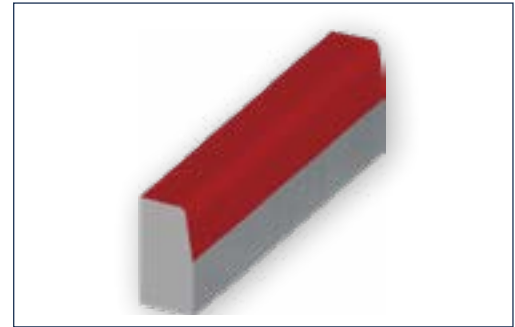
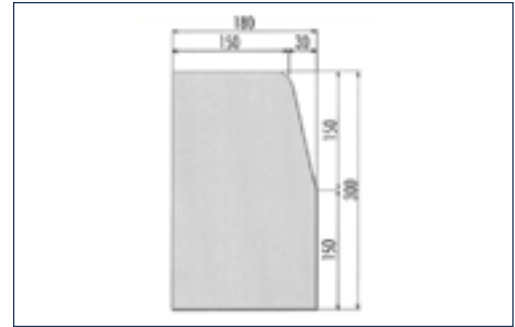


BRD - 03 / HIGHWAY CURBSTONE

STANDARD: 700 x 180 x 300 mm

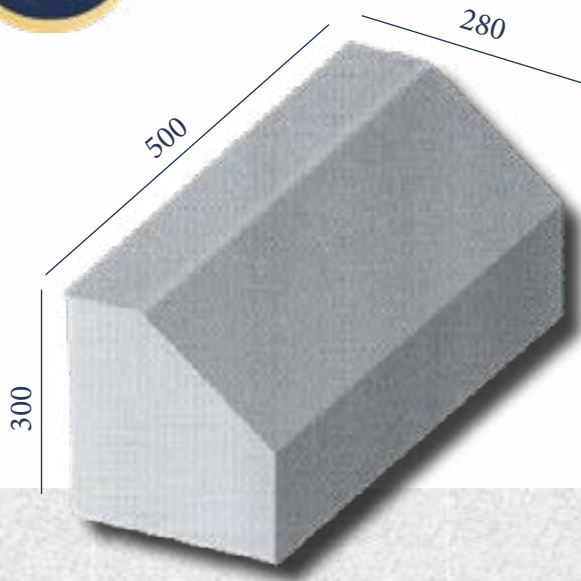


TOP VIEW

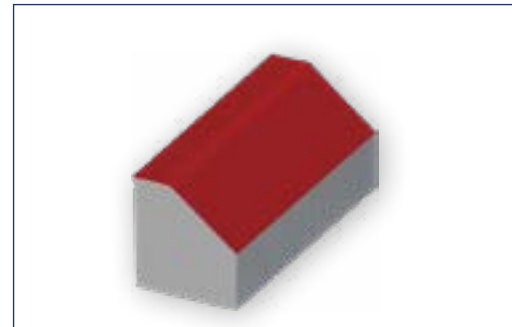
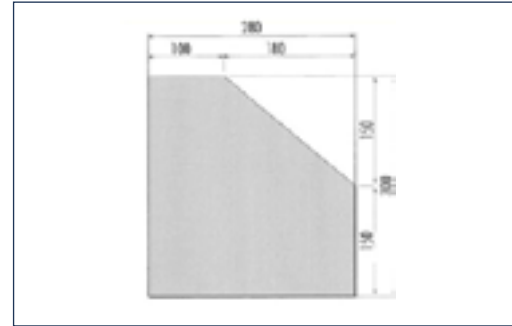


MEASUREMENTS

Standard Length:	700 mm	Optional Length:	mm
Standard Width:	180 mm	Optional Width:	mm
Standard Height:	300 mm	Optional Height:.....	mm
Std.bottom cover thickness:	(X)	Std.bottom cover thickness:	(X)



TOP VIEW



MEASUREMENTS

Standard Length:	500 mm	Optional Length:	mm
Standard Width:	280 mm	Optional Width:	mm
Standard Height:	300 mm	Optional Height:.....	mm
Std.bottom cover thickness:	(X)	Std.bottom cover thickness:	(X)

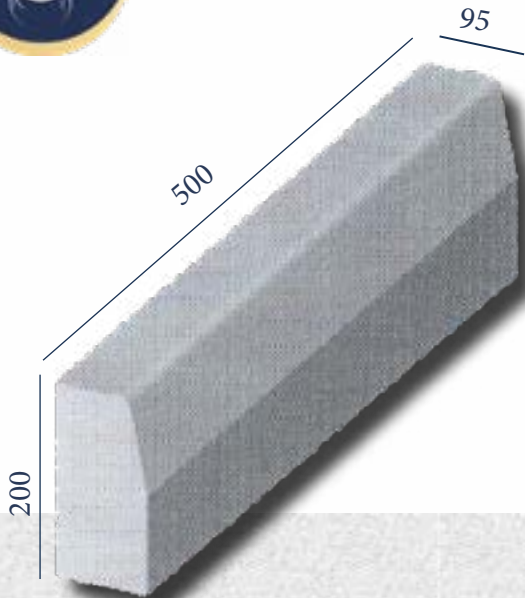
BRD - 04 / REFUGE CURBSTONE

STANDARD: 500 x 280 x 300 mm



www.megamoulds.com

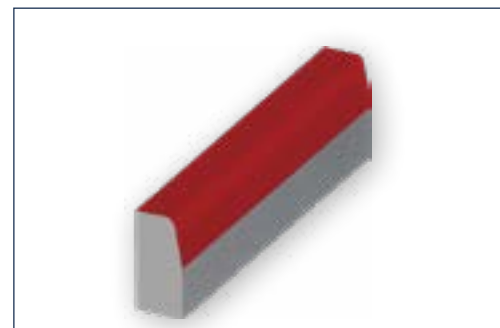
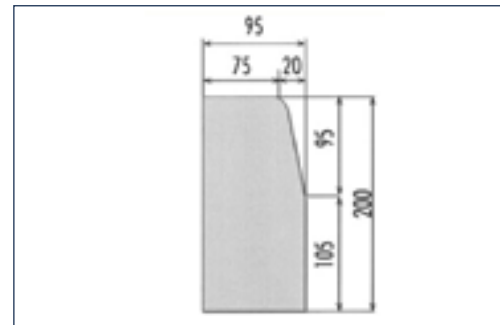
+90 545 347 17 61
 +90 542 359 67 64
 +90 542 359 67 50
 +90 542 359 67 37
 +90 542 359 67 53
 +90 542 359 67 92



BRD - 05 / GARDEN CURBSTONE
STANDARD: 500 x 95 x 200 mm

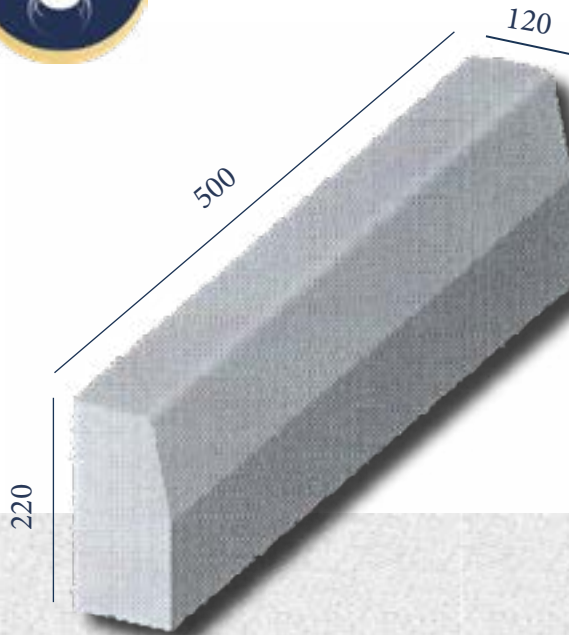


TOP VIEW



MEASUREMENTS

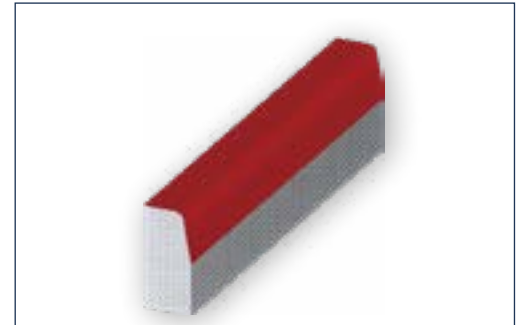
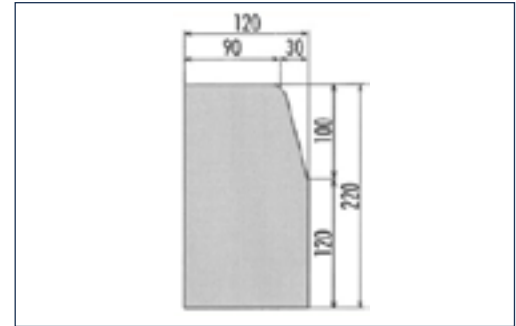
Standard Length:	500 mm	Optional Length:	mm
Standard Width:	95 mm	Optional Width:	mm
Standard Height:	200 mm	Optional Height:.....	mm
Std.bottom cover thickness:	(X)	Std.bottom cover thickness:	(X)



BRD - 06 / GARDEN CURBSTONE
STANDARD: 500 x 120 x 220 mm



TOP VIEW



MEASUREMENTS

Standard Length:	500 mm	Optional Length:	mm
Standard Width:	120 mm	Optional Width:	mm
Standard Height:	220 mm	Optional Height:.....	mm
Std.bottom cover thickness:	(X)	Std.bottom cover thickness:	(X)

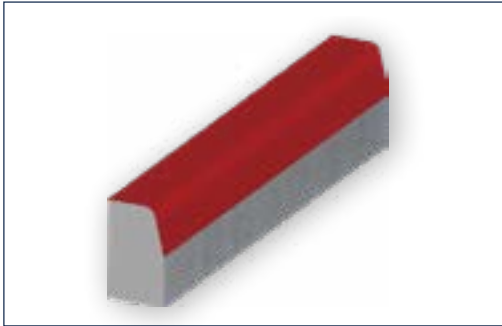
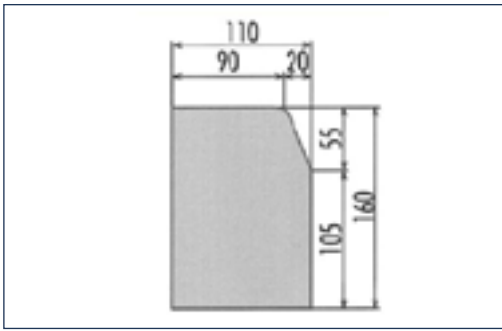


BRD - 07 / SMALL CURBSTONE

STANDARD: 500 x 110 x 160 mm

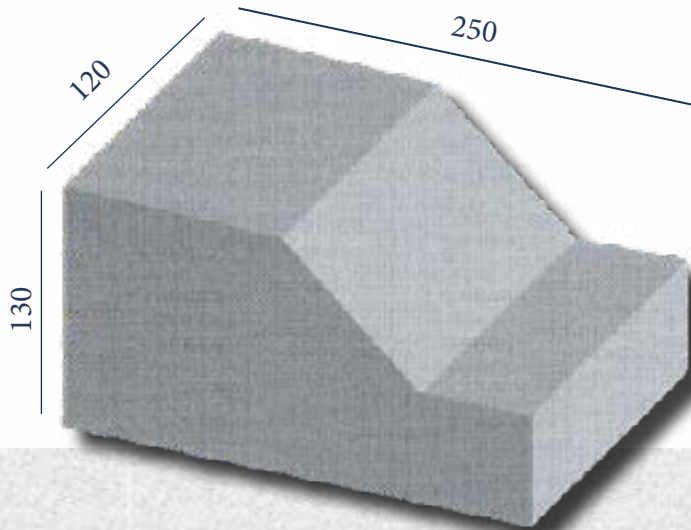


TOP VIEW



MEASUREMENTS

Standard Length:	500 mm	Optional Length:	mm
Standard Width:	110 mm	Optional Width:	mm
Standard Height:	160 mm	Optional Height:.....	mm
Std.bottom cover thickness:	(X)	Std.bottom cover thickness:	(X)



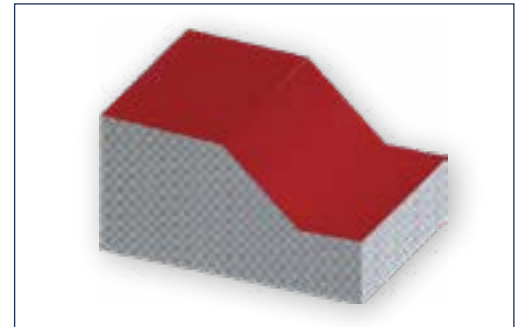
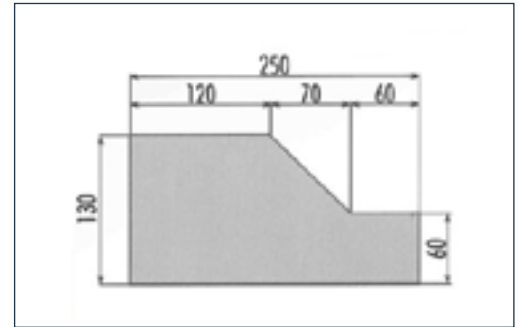
BRD - 08 / GRASS CURBSTONE

STANDARD: 120 x 250 x 130 mm



www.megamoulds.com

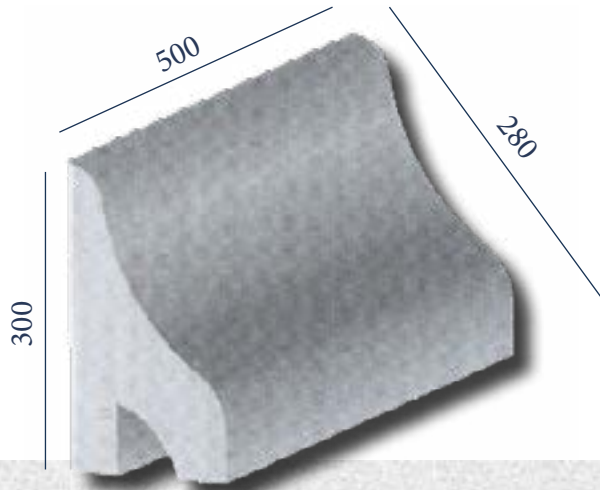
TOP VIEW



MEASUREMENTS

Standard Length:	120 mm	Optional Length:	mm
Standard Width:	250 mm	Optional Width:	mm
Standard Height:	130 mm	Optional Height:	mm
Std.bottom cover thickness:	(X)	Std.bottom cover thickness:	(X)

+90 545 347 17 61
 +90 542 359 67 64
 +90 542 359 67 50
 +90 542 359 67 37
 +90 542 359 67 53
 +90 542 359 67 92

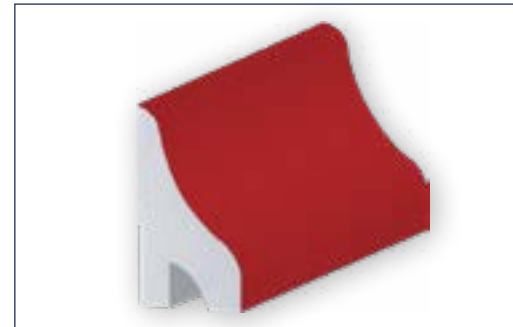
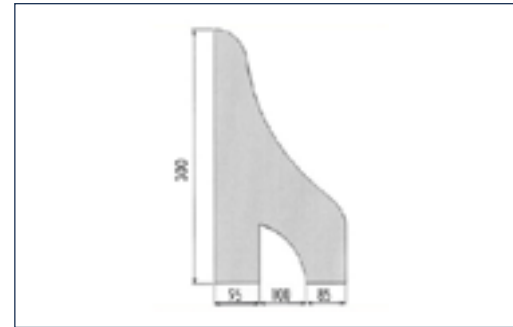


BRD - 09 / CONCRETE BOTTOM UNIT

STANDARD: 500 x 280 x 300 mm

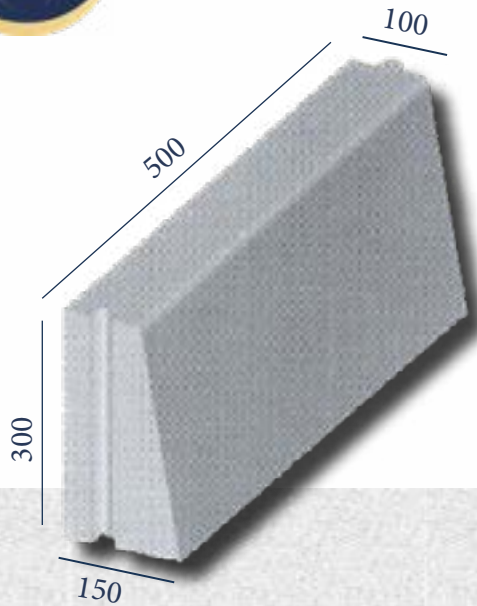


TOP VIEW



MEASUREMENTS

Standard Length:	500 mm	Optional Length:	mm
Standard Width:	280 mm	Optional Width:	mm
Standard Height:	300 mm	Optional Height:.....	mm
Std.bottom cover thickness:	(X)	Std.bottom cover thickness:	(X)

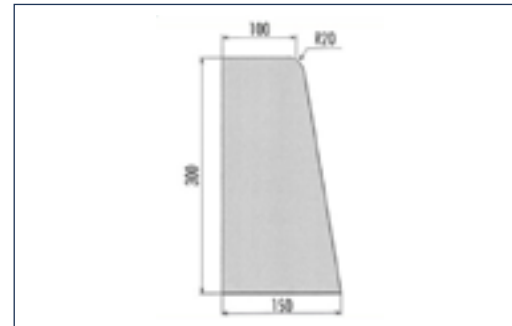


BRD - 10 / SPECIAL CURBSTONE

STANDARD: 500 x 100 - 150 x 300 mm



TOP VIEW



MEASUREMENTS

Standard Length:	500 mm	Optional Length:	mm
Standard Width:	100 - 150 mm	Optional Width:	mm
Standard Height:	300 mm	Optional Height:.....	mm
Std.bottom cover thickness:	(X)	Std.bottom cover thickness:	(X)



+90 545 347 17 61



+90 542 359 67 64



+90 542 359 67 50



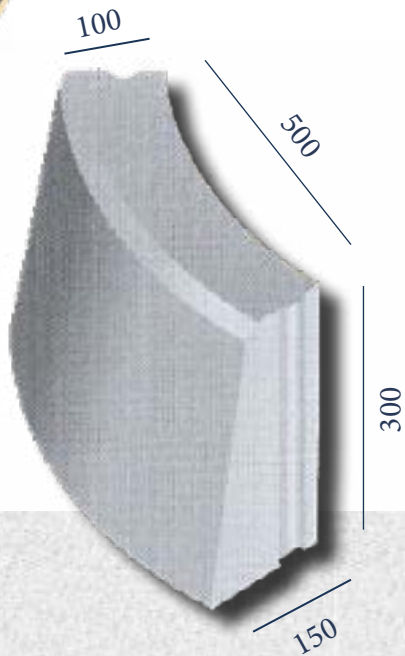
+90 542 359 67 37



+90 542 359 67 53



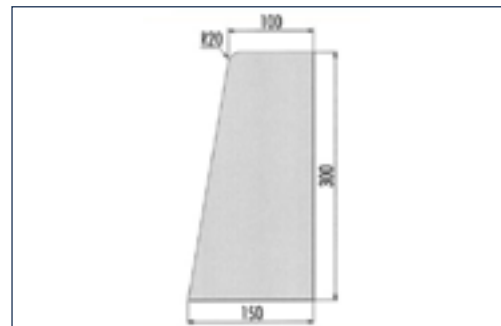
+90 542 359 67 92



BRD - 11 / SPECIAL CURBSTONE
STANDARD: 500 x 100 -150 x 300 mm

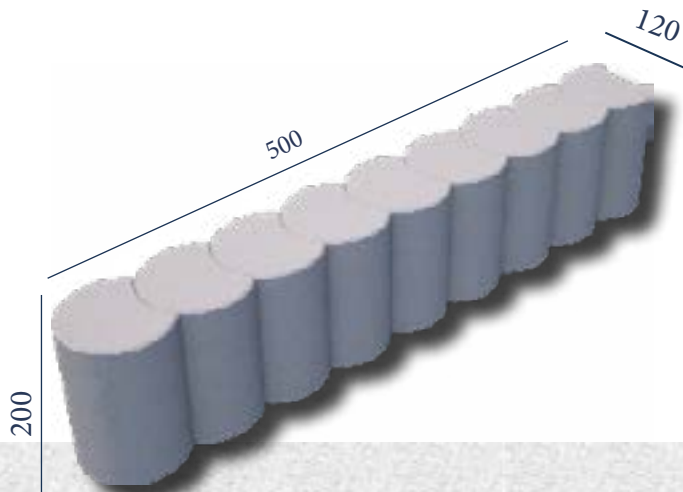


TOP VIEW

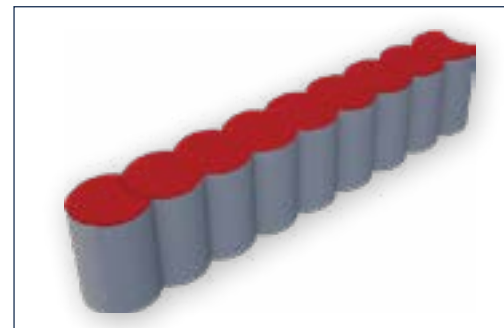
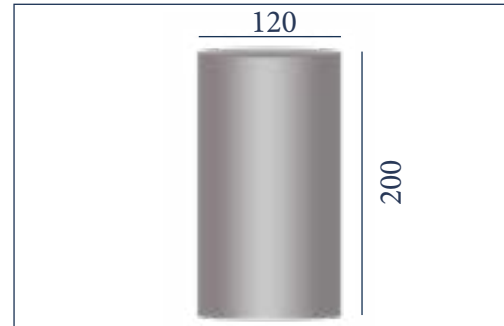


MEASUREMENTS

Standard Length:	500 mm	Optional Length:	mm
Standard Width:	100-150 mm	Optional Width:	mm
Standard Height:	300 mm	Optional Height:.....	mm
Std.bottom cover thickness:	(X)	Std.bottom cover thickness:	(X)



TOP VIEW



MEASUREMENTS

Standard Length:	500 mm	Optional Length:	mm
Standard Width:	120 mm	Optional Width:	mm
Standard Height:	200 mm	Optional Height:.....	mm
Std.bottom cover thickness:	(X)	Std.bottom cover thickness:	(X)

BRD - 218 / GARDEN CURBSTONE

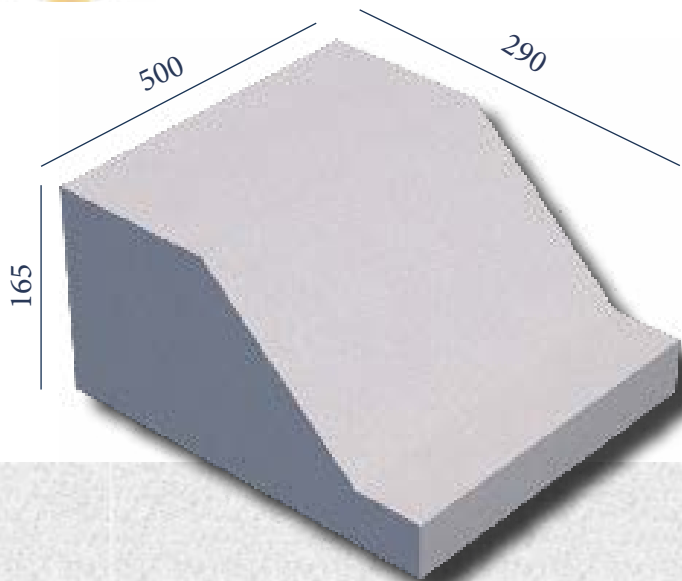
STANDARD: 500 x 120 x 200 mm



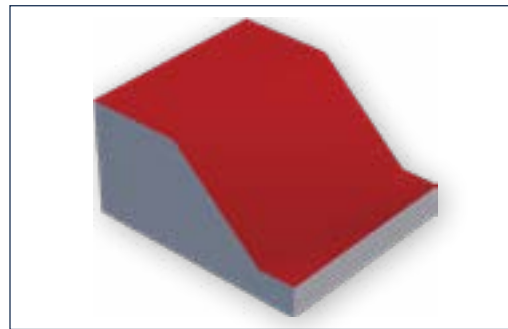
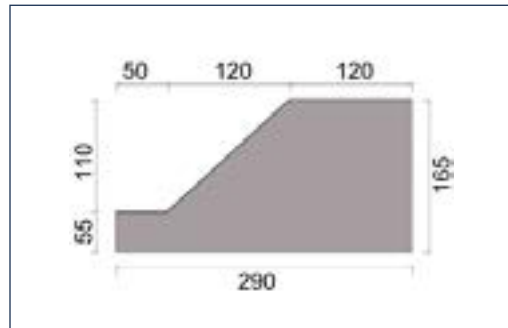
www.megamoulds.com

+90 545 347 17 61
 +90 542 359 67 64
 +90 542 359 67 50
 +90 542 359 67 37
 +90 542 359 67 53
 +90 542 359 67 92

055



TOP VIEW

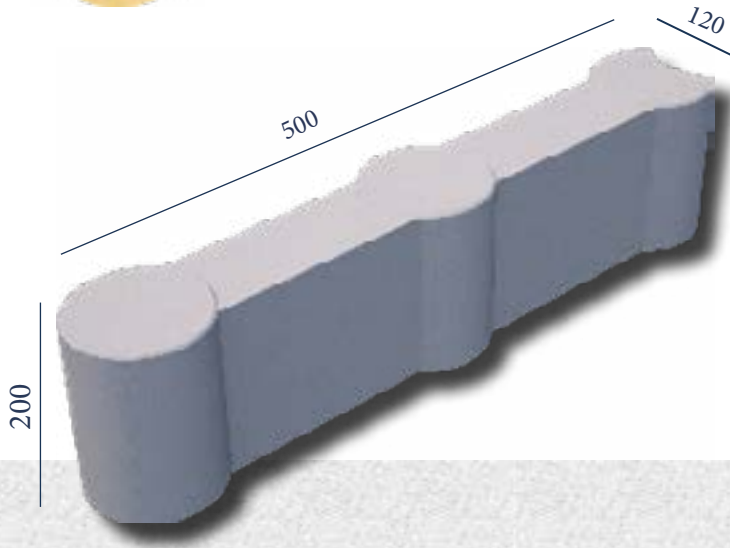


MEASUREMENTS

Standard Length:	500 mm	Optional Length:	mm
Standard Width:	290 mm	Optional Width:	mm
Standard Height:	165 mm	Optional Height:.....	mm
Std.bottom cover thickness:	(X)	Std.bottom cover thickness:	(X)

BRD - 231 / GARDEN CURBSTONE
STANDARD: 500 x 290 x 165 mm



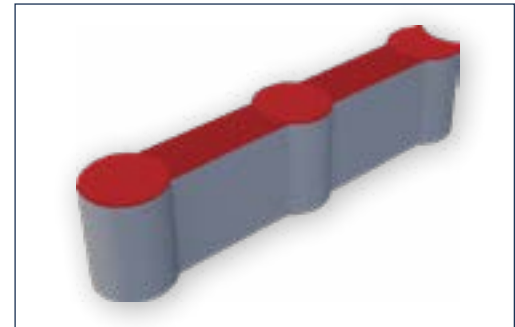
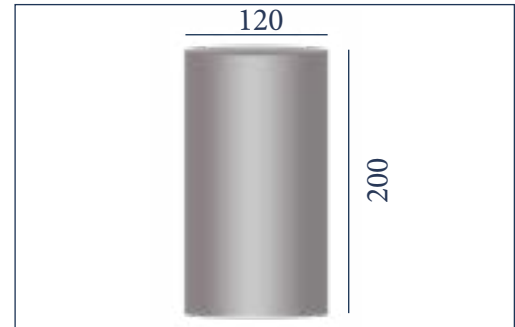


BRD - 232 / GARDEN CURBSTONE

STANDARD: 500 x 120 x 200 mm



TOP VIEW



MEASUREMENTS

Standard Length:	500 mm	Optional Length:	mm
Standard Width:	120 mm	Optional Width:	mm
Standard Height:	200 mm	Optional Height:.....	mm
Std.bottom cover thickness:	(X)	Std.bottom cover thickness:	(X)



+90 545 347 17 61



+90 542 359 67 64



+90 542 359 67 50



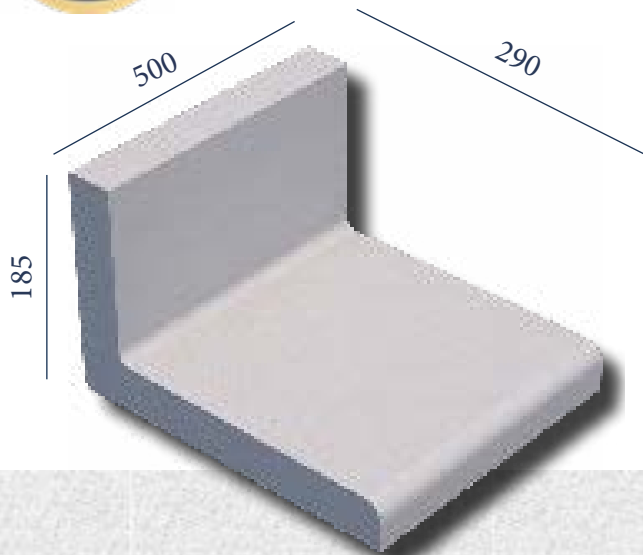
+90 542 359 67 37



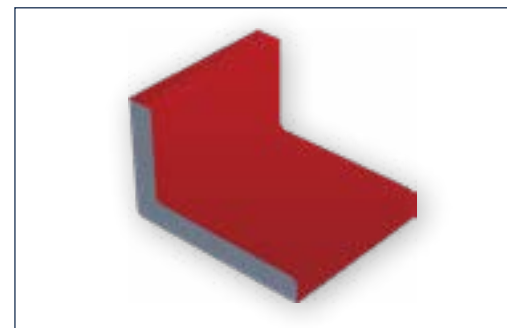
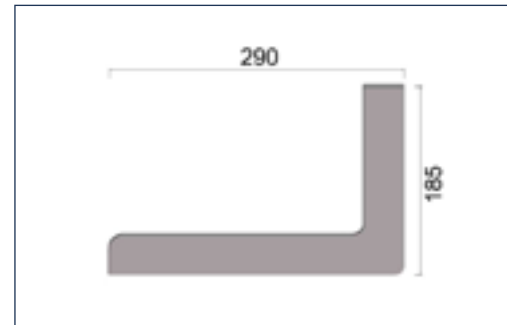
+90 542 359 67 53



+90 542 359 67 92



TOP VIEW

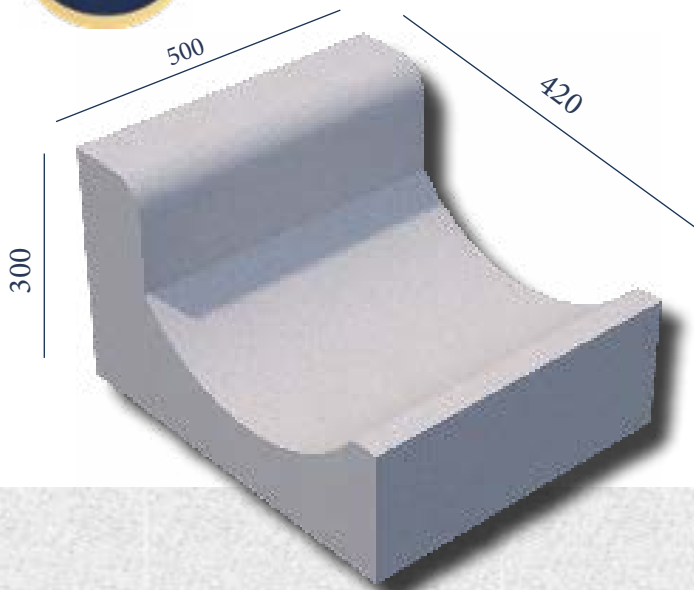


MEASUREMENTS

Standard Length:	500 mm	Optional Length:	mm
Standard Width:	290 mm	Optional Width:	mm
Standard Height:	185 mm	Optional Height:.....	mm
Std.bottom cover thickness:	(X)	Std.bottom cover thickness:	(X)

BRD - 233 / GARDEN CURBSTONE
STANDARD: 500 x 290 x 185 mm

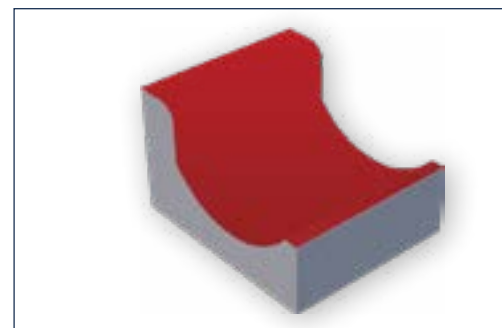
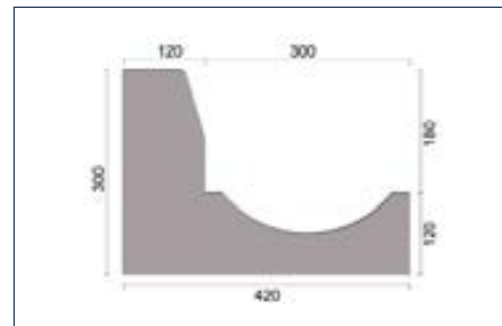




BRD - 234 /GARDEN CURBSTONE
STANDARD: 500 x 420 x 300 mm



TOP VIEW



MEASUREMENTS

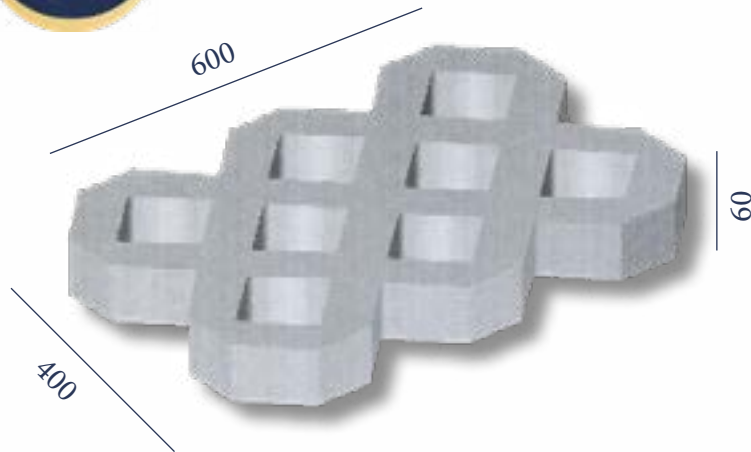
Standard Length:	500 mm	Optional Length:	mm
Standard Width:	420 mm	Optional Width:	mm
Standard Height:	300 mm	Optional Height:.....	mm
Std.bottom cover thickness:	(X)	Std.bottom cover thickness:	(X)



www.megamoulds.com



LAWN STONE MOULD SAMPLES



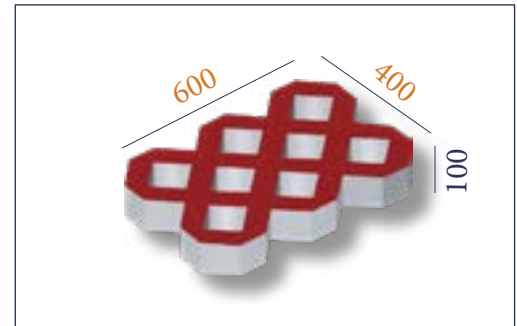
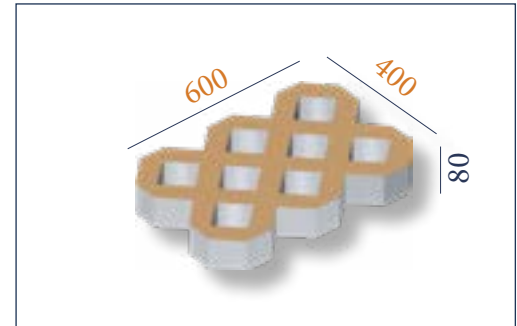
CMT - 01 / LAWN STONE

STANDARD: 600 x 400 x 60 mm



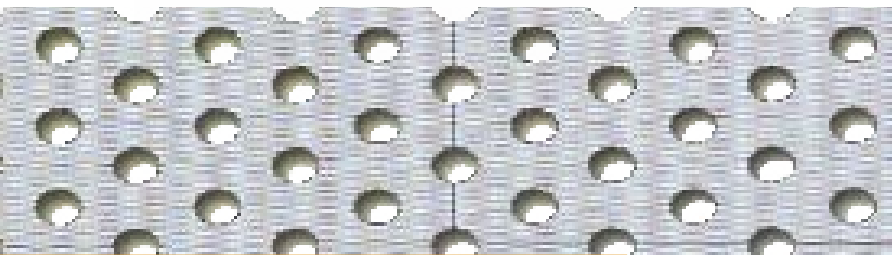
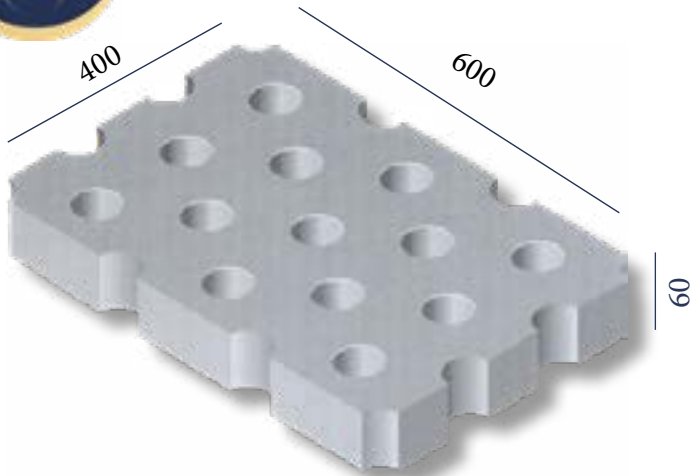
www.megamoulds.com

THICKNESSES



MEASUREMENTS

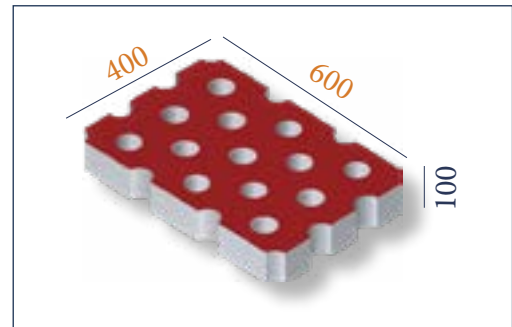
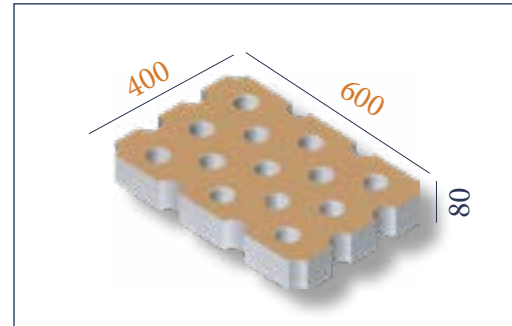
Standard Length:	600 mm
Standard Width:	400 mm
Standard Height:	60 mm
Piece Area dm ² :	24
Used Pieces Per Square Meter:	4



CMT - 02 / LAWN STONE
STANDARD: 600 x 400 x 60 mm

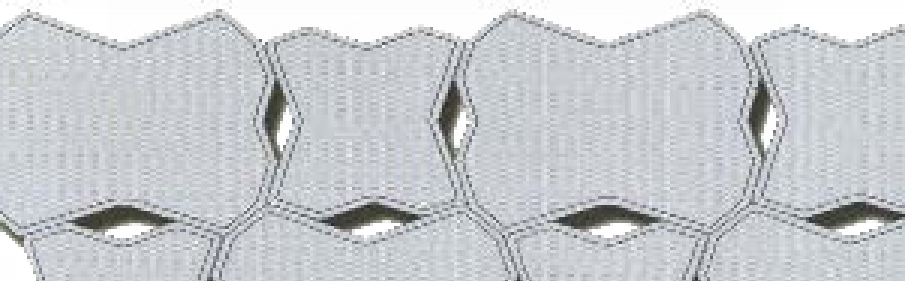
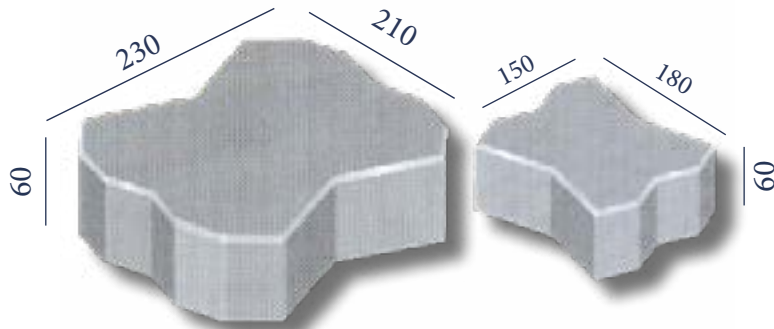


THICKNESSES



MEASUREMENTS

Standard Length:	600 mm
Standard Width:	400 mm
Standard Height:	60 mm
Piece Area dm ² :	24
Used Pieces Per Square Meter:	4

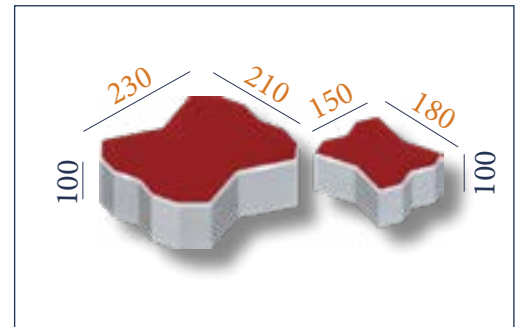
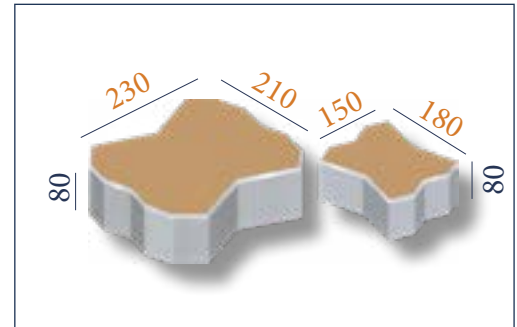


CMT - 03 / LAWN STONE
 STANDARD: 230 x 210 / 150 x 180 - 60 mm



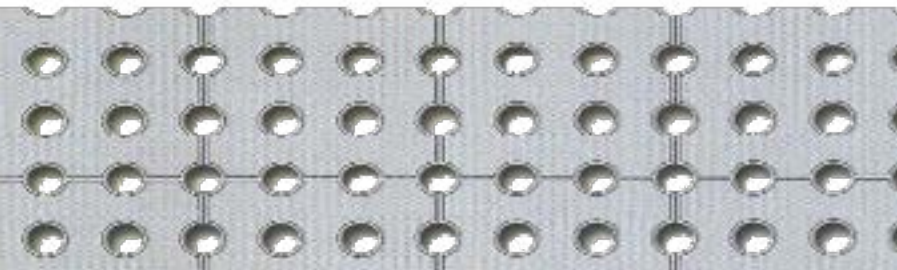
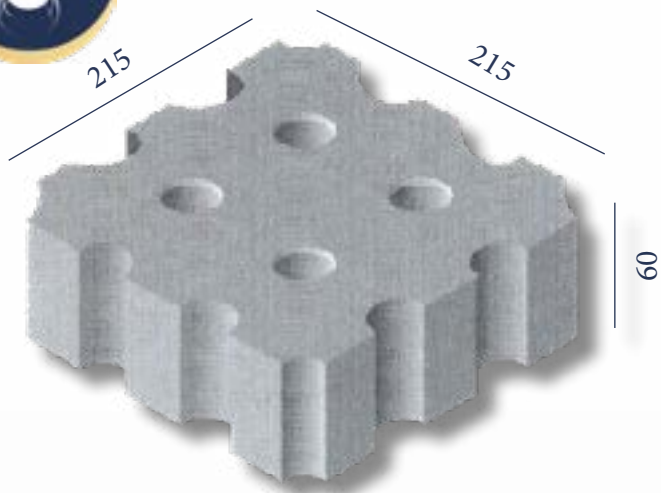
www.megamoulds.com

THICKNESSES



MEASUREMENTS

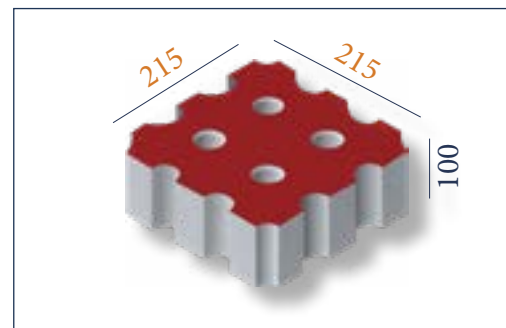
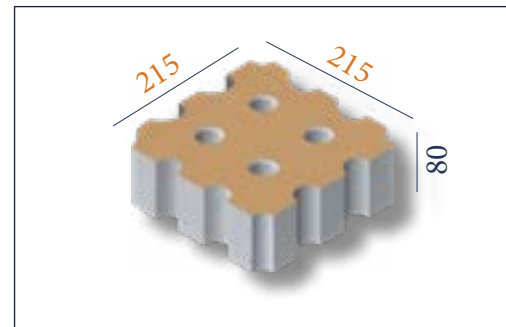
Standard Length:	230 / 180 mm
Standard Width:	210 / 150 mm
Standard Height:	60 mm
Piece Area dm ² :	3.9 / 2.2
Used Pieces Per Square Meter:	25 / 46



CMT - 04 / LAWN STONE
STANDARD: 215 x 215 x 60 mm

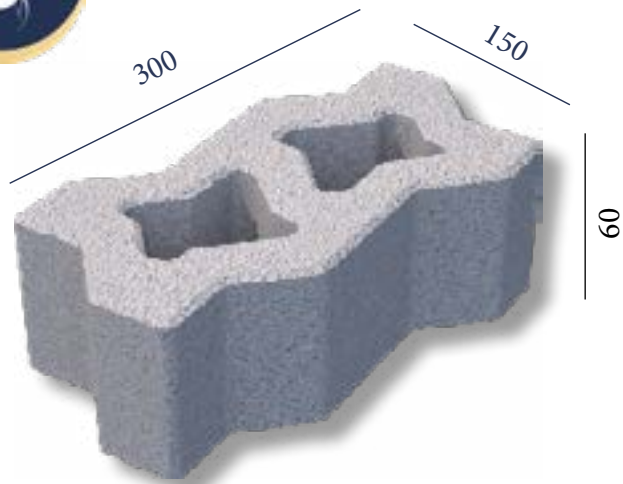


THICKNESSES



MEASUREMENTS

Standard Length:	215 mm
Standard Width:	215 mm
Standard Height:	60 mm
Piece Area dm ² :	4,6
Used Pieces Per Square Meter:	21

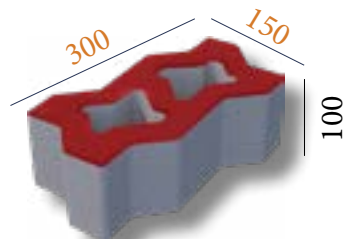
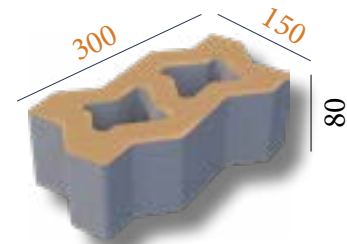


CMT - 05 / LAWN STONE
STANDARD: 300 x 150 x 60 mm

www.megamoulds.com

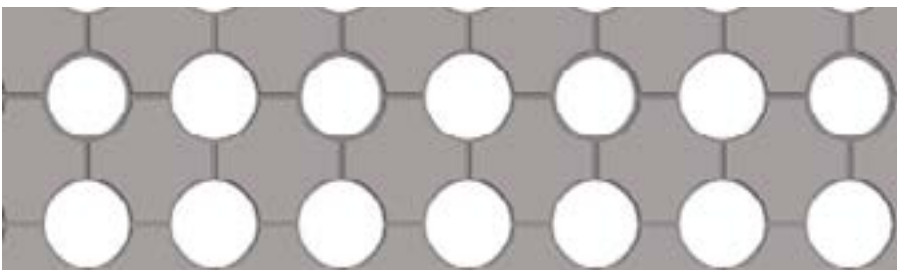
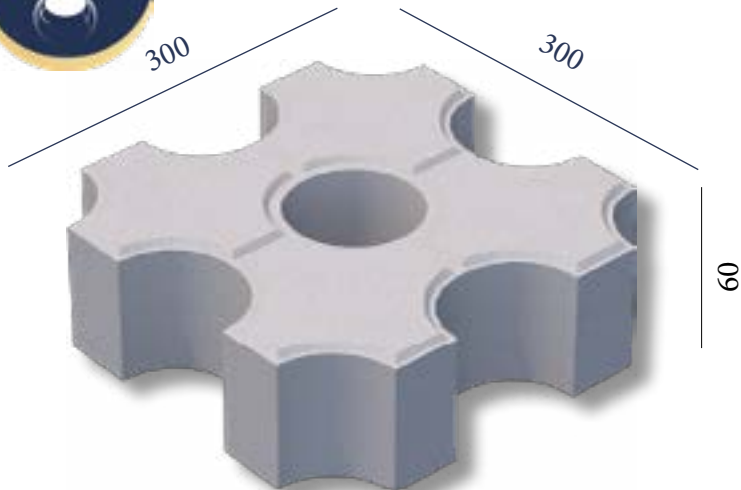


THICKNESSES



MEASUREMENTS

Standard Length:	300 mm
Standard Width:	150 mm
Standard Height:	60 mm
Piece Area dm ² :	4.5
Used Pieces Per Square Meter:	22

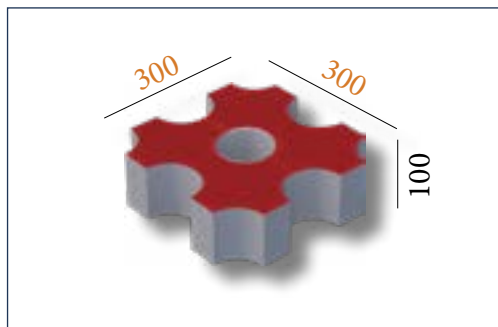
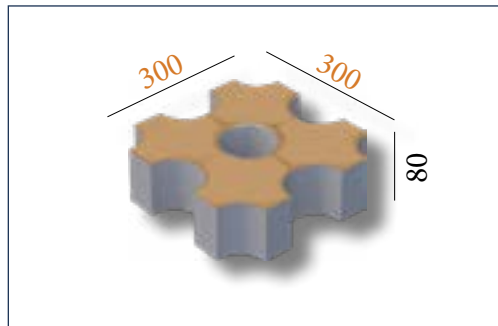


CMT - 06 / LAWN STONE
 STANDARD: 300 x 300 x 60 mm



www.megamoulds.com

THICKNESSES

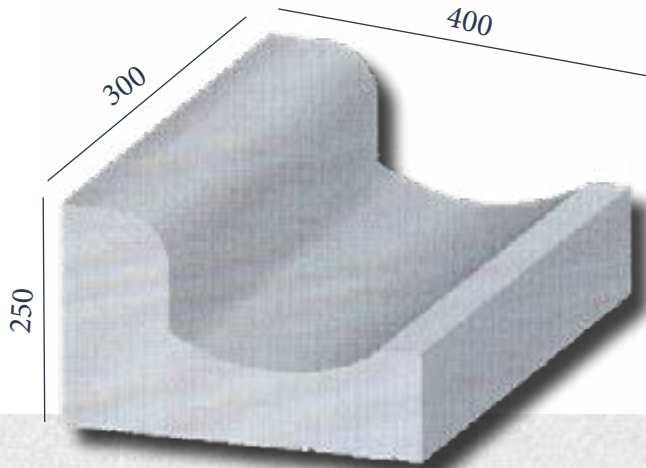


MEASUREMENTS

Standard Length:	300 mm
Standard Width:	300 mm
Standard Height:	60 mm
Piece Area dm ² :	9
Used Pieces Per Square Meter:	11



STREET GUTTER MOULD SAMPLES

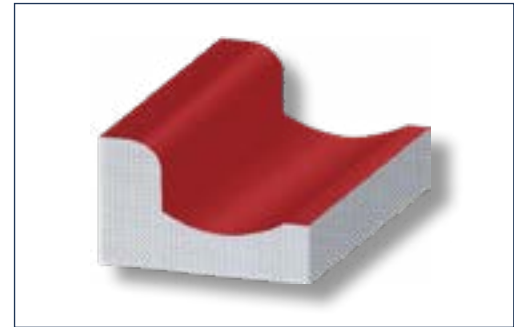
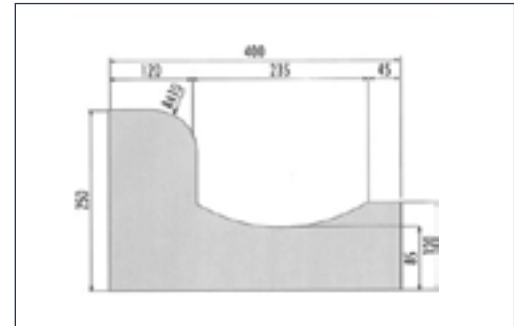


BRD - 12 DRAINAGE CURBSTONE

STANDARD: 300 x 400 x 250 mm

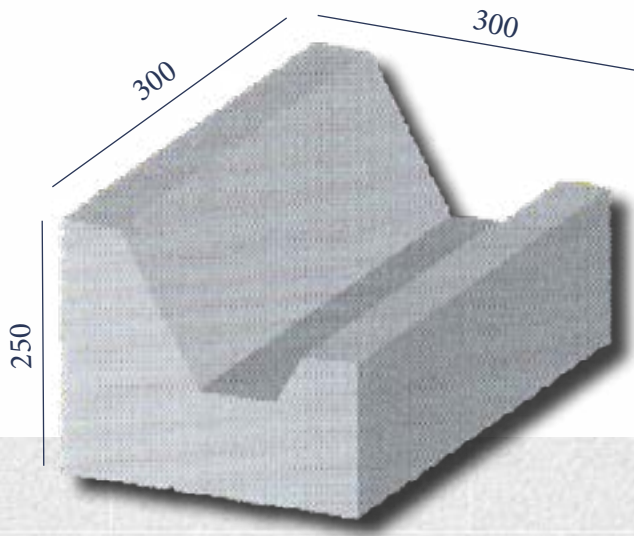


TOP VIEW



MEASUREMENTS

Standard Length:	300 mm	Optional Length:	mm
Standard Width:	400 mm	Optional Width:	mm
Standard Height:	250 mm	Optional Height:.....	mm
Std.bottom cover thickness:	(X)	Std.bottom cover thickness:	(X)

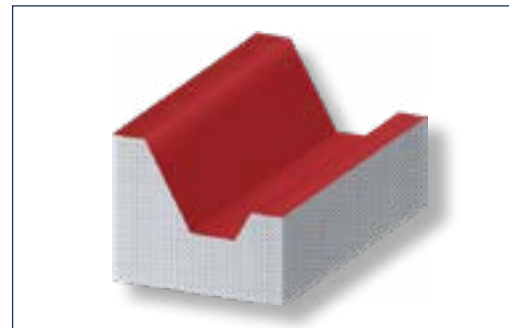
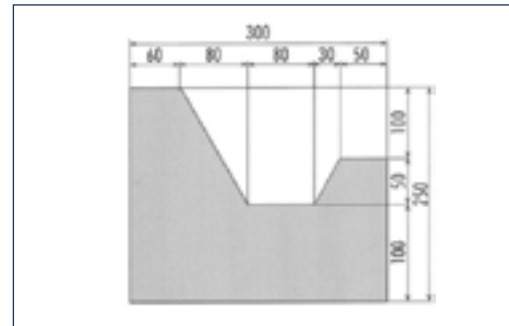


BRD - 13 DRAINAGE CURBSTONE
 STANDARD: 300 x 300 x 250 mm



www.megamoulds.com

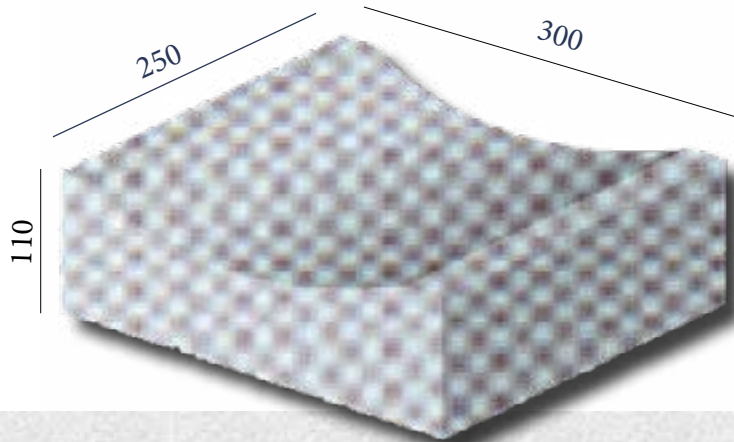
TOP VIEW



MEASUREMENTS

Standard Length:	300 mm	Optional Length:	mm
Standard Width:	300 mm	Optional Width:	mm
Standard Height:	250 mm	Optional Height:.....	mm
Std.bottom cover thickness:	(X)	Std.bottom cover thickness:	(X)

+90 545 347 17 61
 +90 542 359 67 64
 +90 542 359 67 50
 +90 542 359 67 37
 +90 542 359 67 53
 +90 542 359 67 92

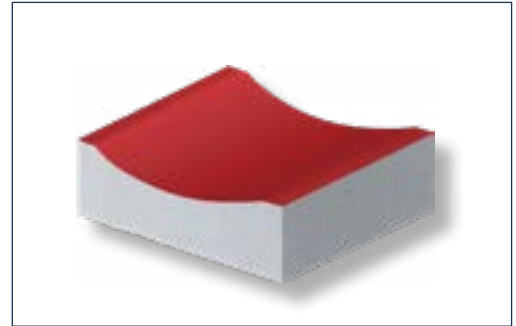
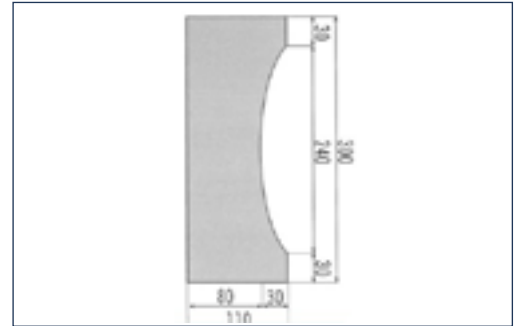


YGM - 14 RAIN GUTTER
STANDARD: 250 x 300 x 110 mm



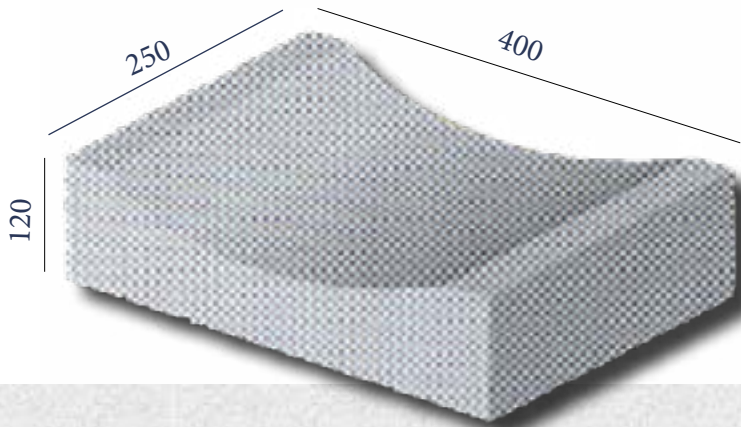
www.megamoulds.com

TOP VIEW



MEASUREMENTS

Standard Length:	250 mm	Optional Length:	mm
Standard Width:	300 mm	Optional Width:	mm
Standard Height:	110 mm	Optional Height:.....	mm
Std.bottom cover thickness:	(X)	Std.bottom cover thickness:	(X)

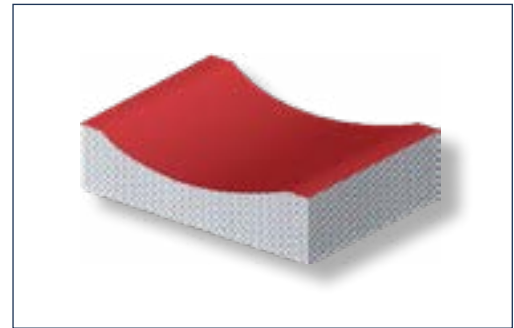
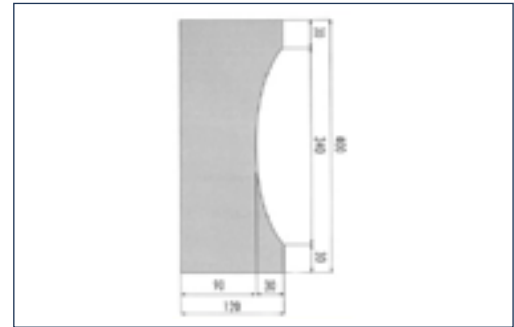


YGM - 15 RAIN GUTTER
 STANDARD: 250 x 400 x 120 mm



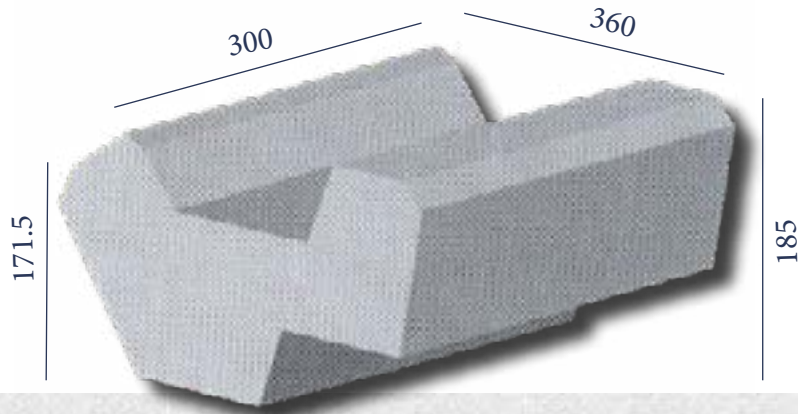
www.megamoulds.com

TOP VIEW



MEASUREMENTS

Standard Length:	250 mm	Optional Length:mm
Standard Width:	400 mm	Optional Width:mm
Standard Height:	120 mm	Optional Height:mm
Std.bottom cover thickness:	(X)	Std.bottom cover thickness:	(X)



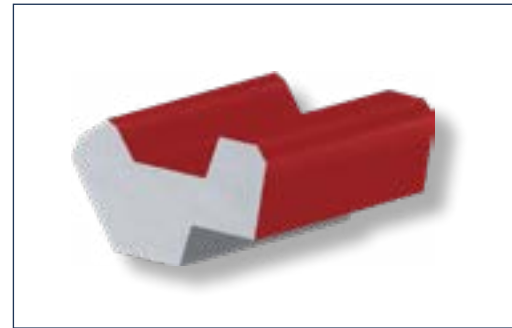
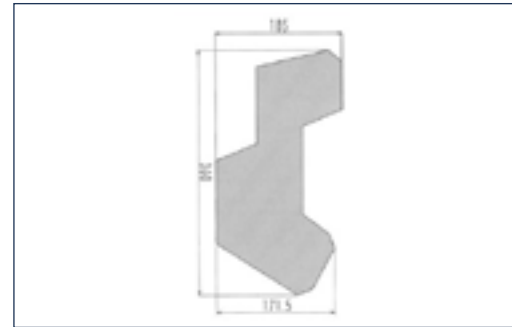
BRD - 16 KNUCKLE STONE
 STANDARD: 300 x 360 x 185 - 171.5 mm



www.megamoulds.com

070

TOP VIEW



MEASUREMENTS

Standard Length:	300 mm	Optional Length:	mm
Standard Width:	360 mm	Optional Width:	mm
Standard Height:	185 - 171.5mm	Optional Height:.....	mm
Std.bottom cover thickness:	(X)	Std.bottom cover thickness:	(X)

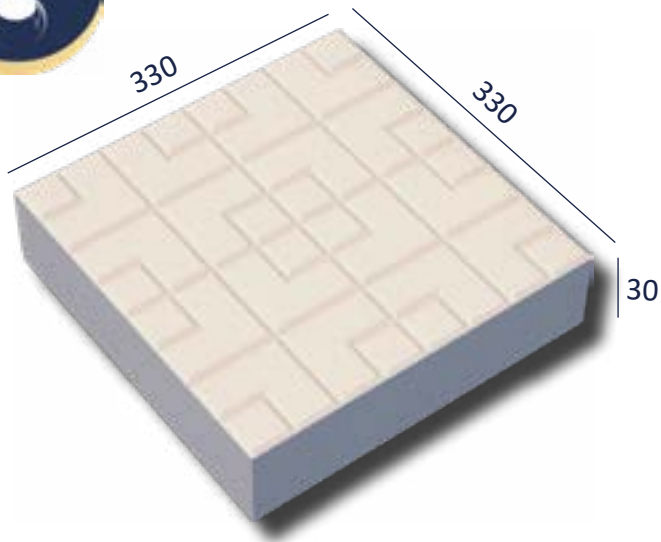
+90 545 347 17 61
 +90 542 359 67 64
 +90 542 359 67 50
 +90 542 359 67 37
 +90 542 359 67 53
 +90 542 359 67 92



www.megamoulds.com



TILE STONE MOULD SAMPLES



KR-SUMELA - TILE STONE

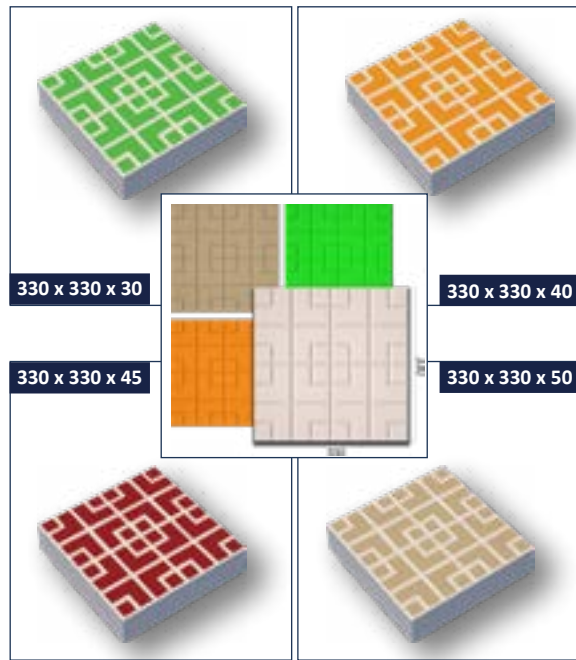
STANDARD: 330 x 330 x 30 mm



www.megamoulds.com

071

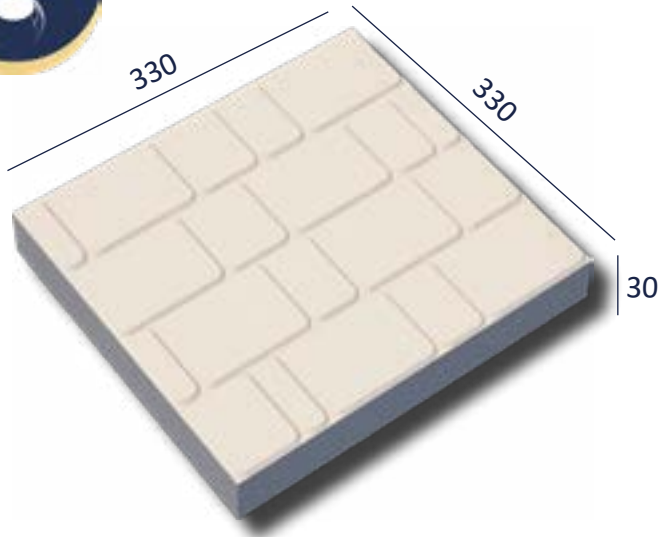
THICKNESSES



MEASUREMENTS

Standard Length:	330 mm	Optional Length:	mm
Standard Width:	330 mm	Optional Width:	mm
Standard Height:	30 mm	Optional Height:.....	mm
Std.bottom cover thickness:	(X)	Std.bottom cover thickness:	(X)

+90 545 347 17 61
 +90 542 359 67 64
 +90 542 359 67 50
 +90 542 359 67 37
 +90 542 359 67 53
 +90 542 359 67 92

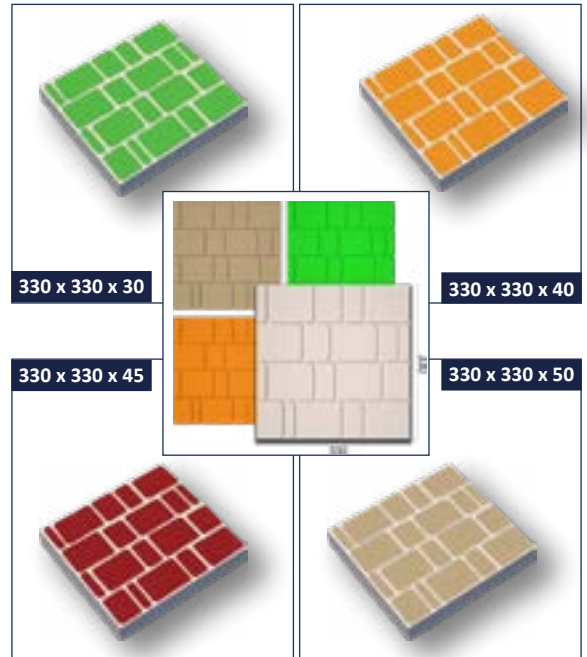


KR-ARIZONA - TILE STONE

STANDARD: 330 x 330 x 30 mm

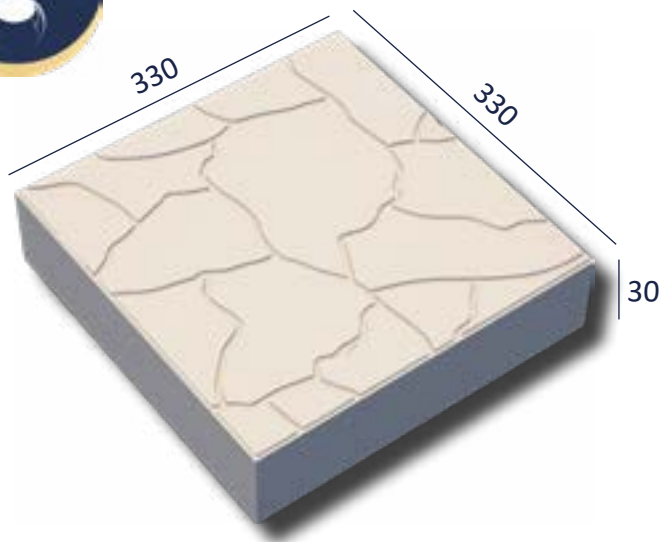


THICKNESSES



MEASUREMENTS

Standard Length:	330 mm	Optional Length:	mm
Standard Width:	330 mm	Optional Width:	mm
Standard Height:	30 mm	Optional Height:	mm
Std.bottom cover thickness:	(X)	Std.bottom cover thickness:	(X)

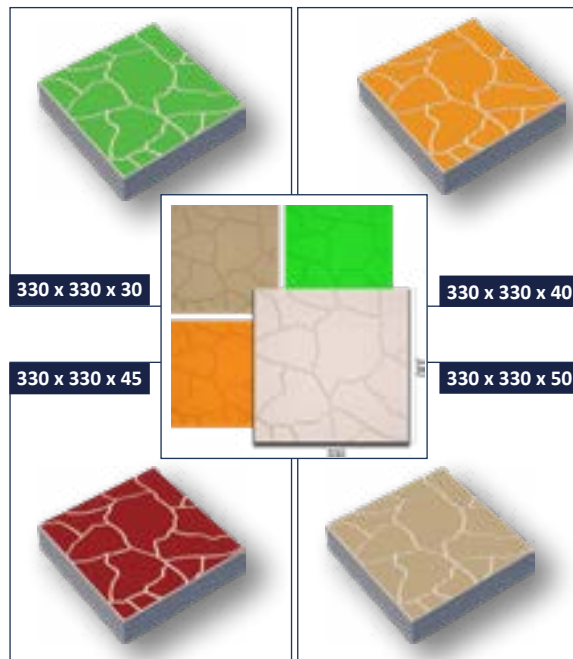


KR-ALACATI - TILE STONE

STANDARD: 330 x 330 x 30 mm

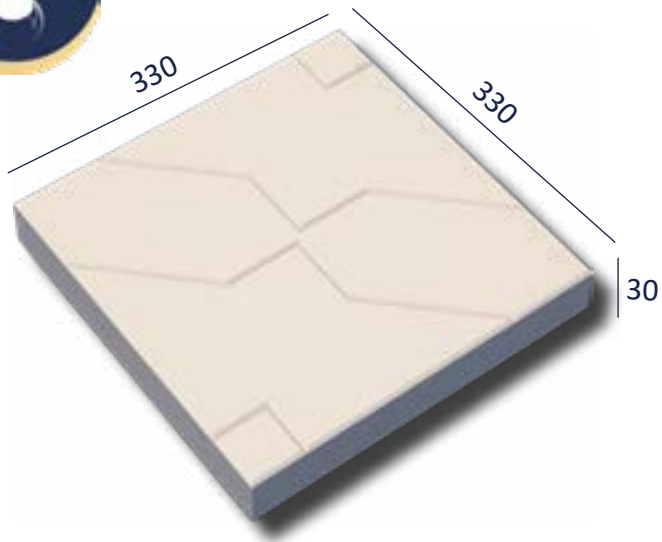


THICKNESSES



MEASUREMENTS

Standard Length:	330 mm	Optional Length:	mm
Standard Width:	330 mm	Optional Width:	mm
Standard Height:	30 mm	Optional Height:	mm
Std.bottom cover thickness:	(X)	Std.bottom cover thickness:	(X)



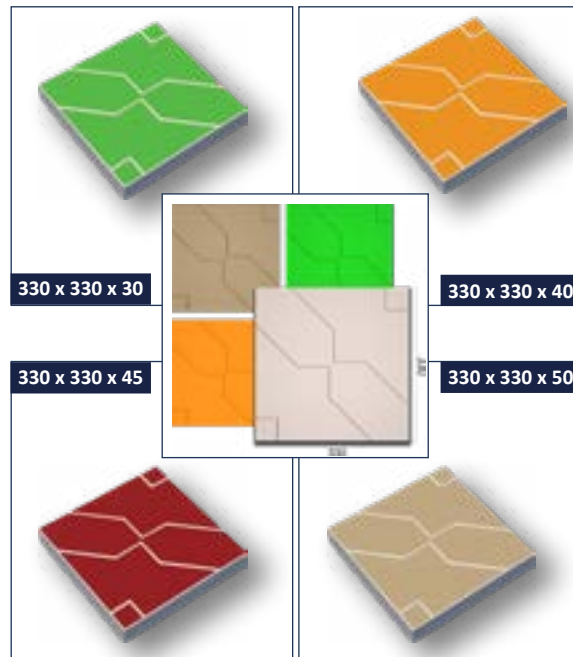
KR-ASPENTOS - TILE STONE

STANDARD: 330 x 330 x 30 mm



www.megamoulds.com

THICKNESSES



330 x 330 x 30

330 x 330 x 40

330 x 330 x 45

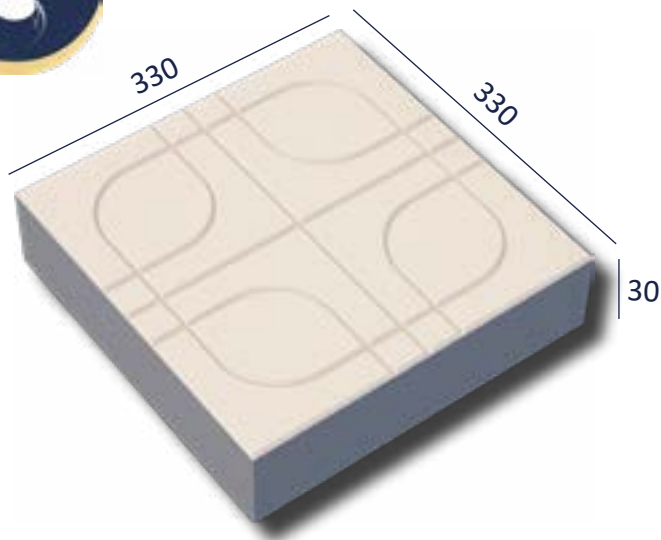
330 x 330 x 50

MEASUREMENTS

Standard Length:	330 mm	Optional Length:	mm
Standard Width:	330 mm	Optional Width:	mm
Standard Height:	30 mm	Optional Height:	mm
Std.bottom cover thickness:	(X)	Std.bottom cover thickness:	(X)

+90 545 347 17 61
 +90 542 359 67 64
 +90 542 359 67 50
 +90 542 359 67 37
 +90 542 359 67 53
 +90 542 359 67 92

074

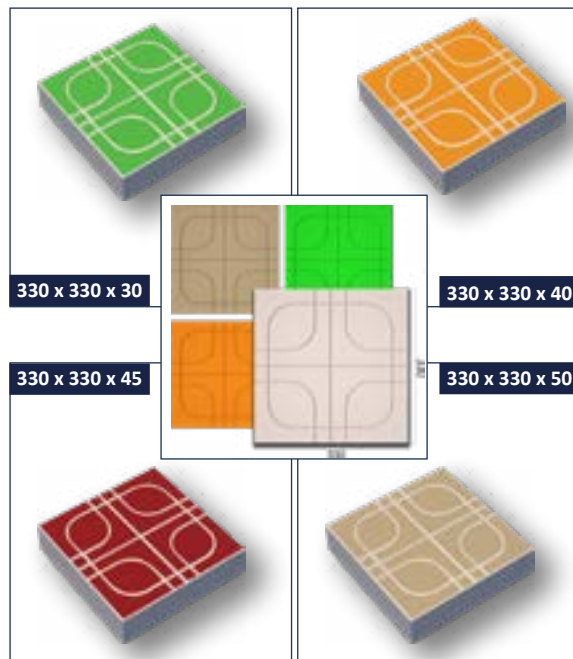


KR-AVANOS - TILE STONE
STANDARD: 330 x 330 x 30 mm



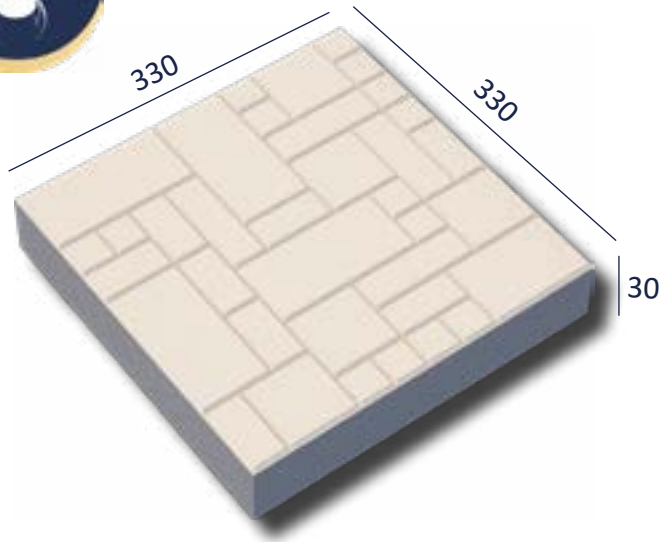
www.megamoulds.com

THICKNESSES



MEASUREMENTS

Standard Length:	330 mm	Optional Length:	mm
Standard Width:	330 mm	Optional Width:	mm
Standard Height:	30 mm	Optional Height:.....	mm
Std.bottom cover thickness:	(X)	Std.bottom cover thickness:	(X)

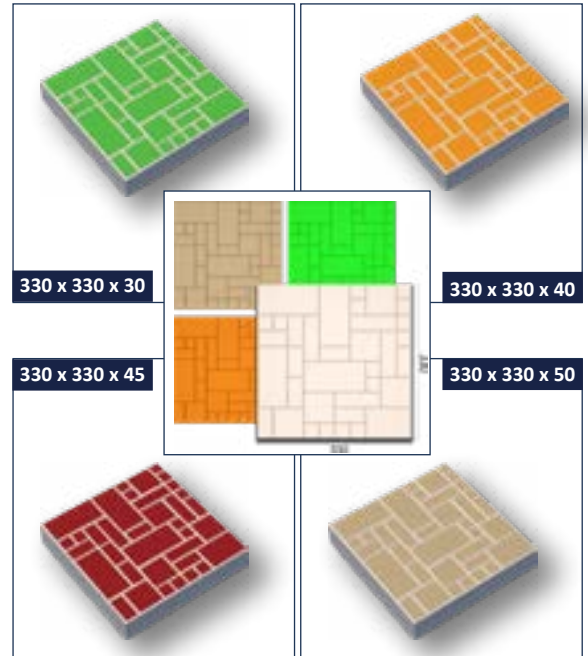


KR-EFES - TILE STONE
STANDARD: 330 x 330 x 30 mm



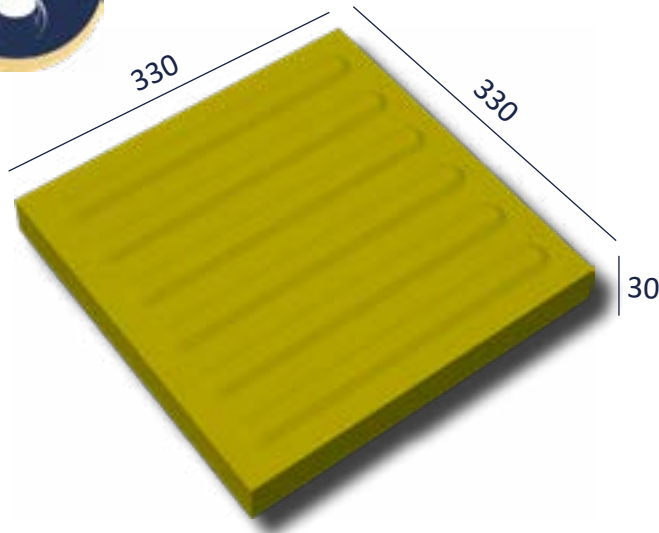
www.megamoulds.com

THICKNESSES



MEASUREMENTS

Standard Length:	330 mm	Optional Length:	mm
Standard Width:	330 mm	Optional Width:	mm
Standard Height:	30 mm	Optional Height:	mm
Std.bottom cover thickness:	(X)	Std.bottom cover thickness:	(X)



KR-ENGELLI 1 - TILE STONE

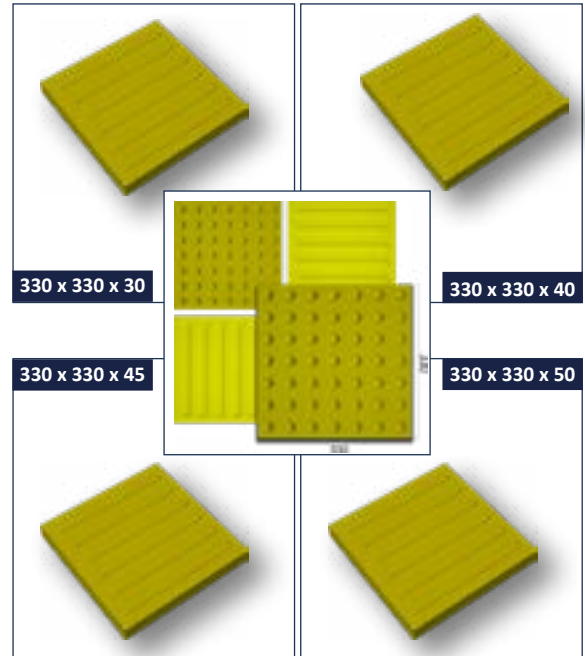
STANDARD: 330 x 330 x 30 mm



www.megamoulds.com

077

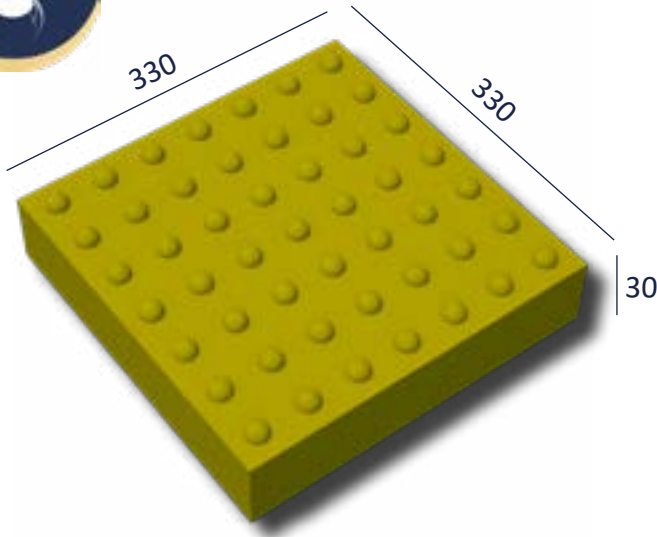
THICKNESSES



MEASUREMENTS

Standard Length:	330 mm	Optional Length:	mm
Standard Width:	330 mm	Optional Width:	mm
Standard Height:	30 mm	Optional Height:.....	mm
Std.bottom cover thickness:	(X)	Std.bottom cover thickness:	(X)

+90 545 347 17 61
 +90 542 359 67 64
 +90 542 359 67 50
 +90 542 359 67 37
 +90 542 359 67 53
 +90 542 359 67 92

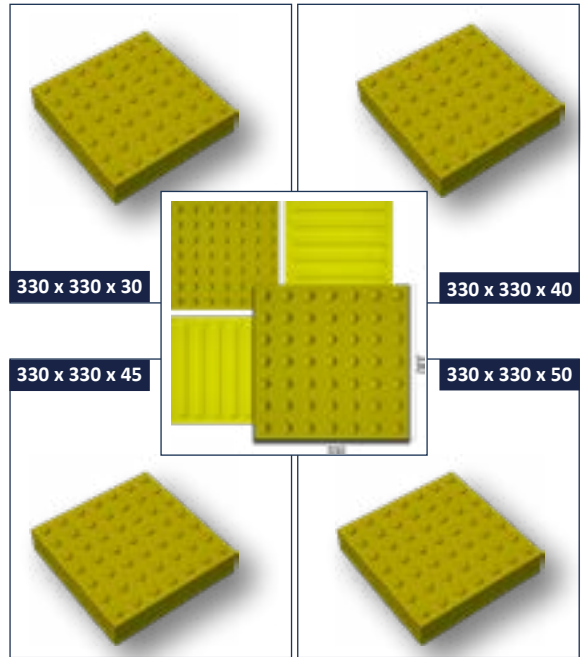


KR-ENGELLI 2 - TILE STONE
 STANDARD: 330 x 330 x 30 mm



www.megamoulds.com

THICKNESSES

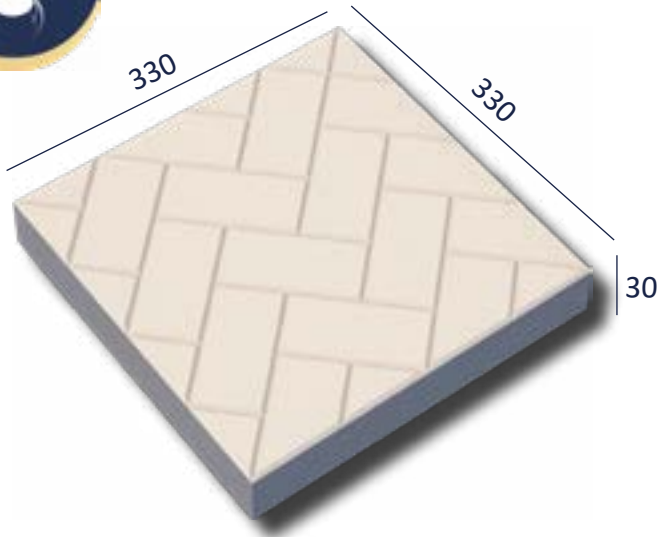


MEASUREMENTS

Standard Length:	330 mm	Optional Length:	mm
Standard Width:	330 mm	Optional Width:	mm
Standard Height:	30 mm	Optional Height:	mm
Std.bottom cover thickness:	(X)	Std.bottom cover thickness:	(X)

+90 545 347 17 61
 +90 542 359 67 64
 +90 542 359 67 50
 +90 542 359 67 37
 +90 542 359 67 53
 +90 542 359 67 92

078

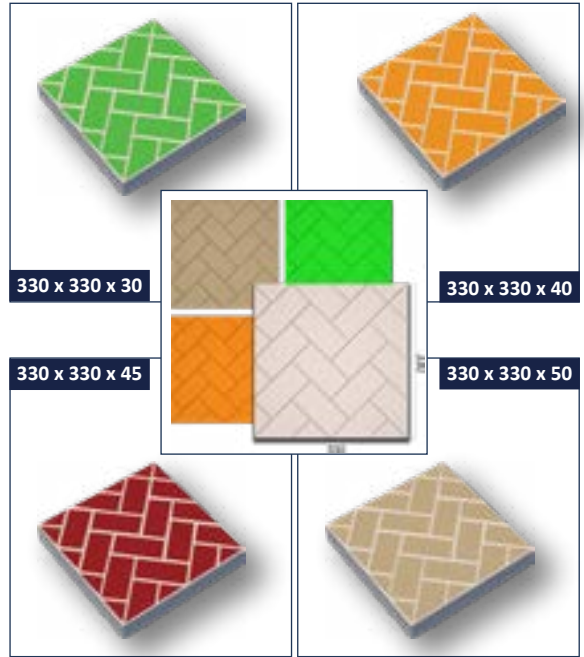


KR-KAPADOKYA - TILE STONE
 STANDARD: 330 x 330 x 30 mm



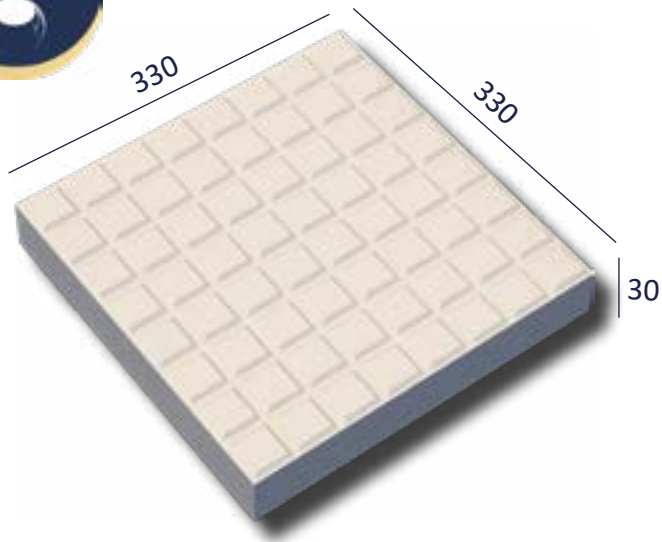
www.megamoulds.com

THICKNESSES



MEASUREMENTS

Standard Length:	330 mm	Optional Length:	mm
Standard Width:	330 mm	Optional Width:	mm
Standard Height:	30 mm	Optional Height:	mm
Std.bottom cover thickness:	(X)	Std.bottom cover thickness:	(X)

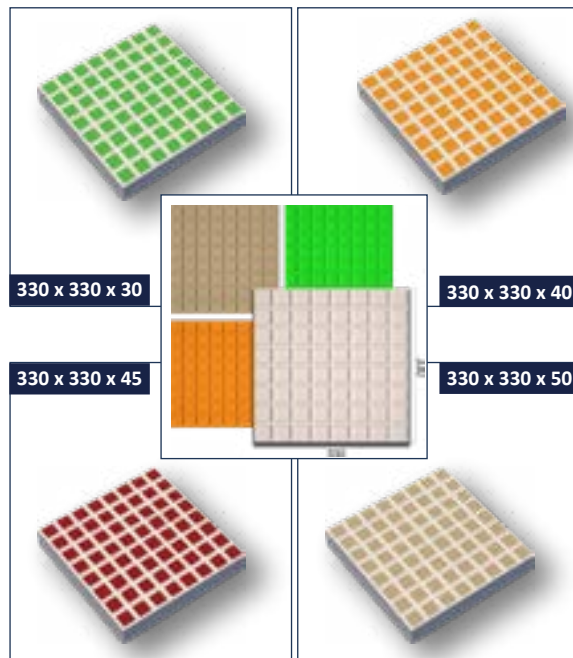


KR-KARE - TILE STONE
STANDARD: 330 x 330 x 30 mm

www.megamoulds.com



THICKNESSES

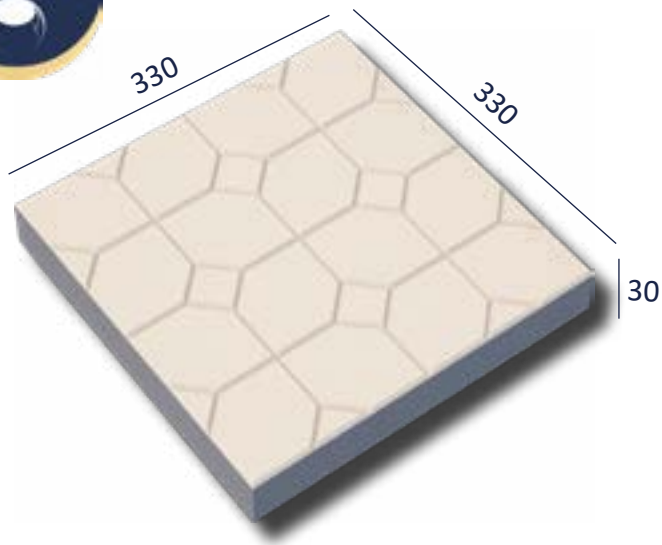


MEASUREMENTS

Standard Length:	330 mm	Optional Length:	mm
Standard Width:	330 mm	Optional Width:	mm
Standard Height:	30 mm	Optional Height:	mm
Std.bottom cover thickness:	(X)	Std.bottom cover thickness:	(X)

+90 545 347 17 61
 +90 542 359 67 64
 +90 542 359 67 50
 +90 542 359 67 37
 +90 542 359 67 53
 +90 542 359 67 92

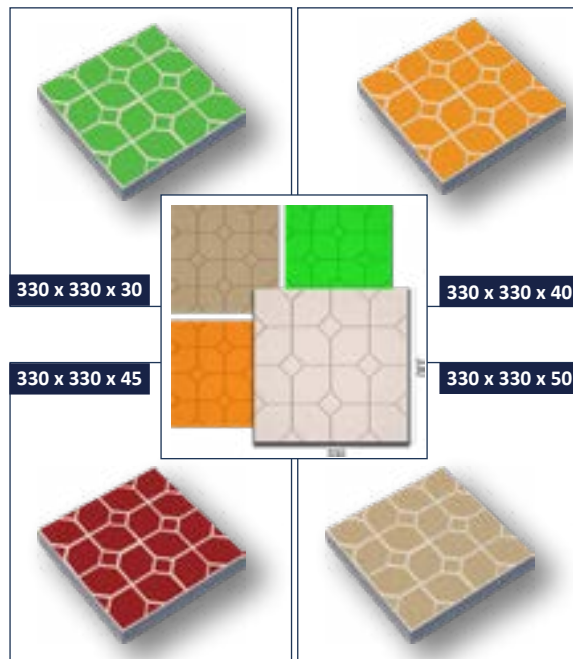
080



KR-MANASTIR - TILE STONE
STANDARD: 330 x 330 x 30 mm



THICKNESSES



330 x 330 x 30

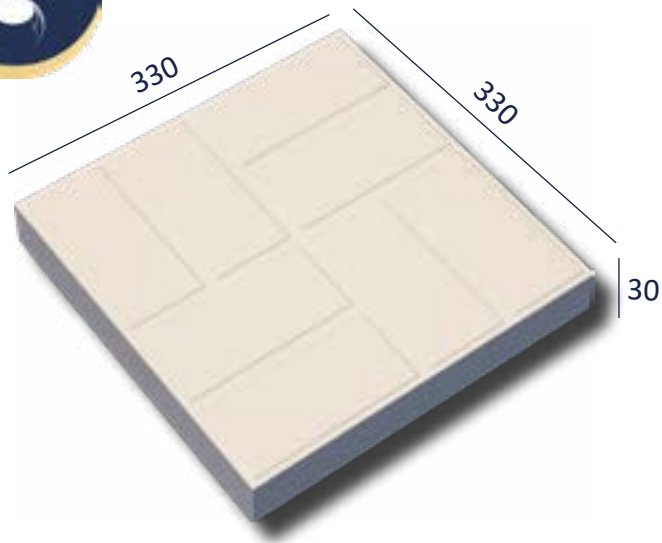
330 x 330 x 40

330 x 330 x 45

330 x 330 x 50

MEASUREMENTS

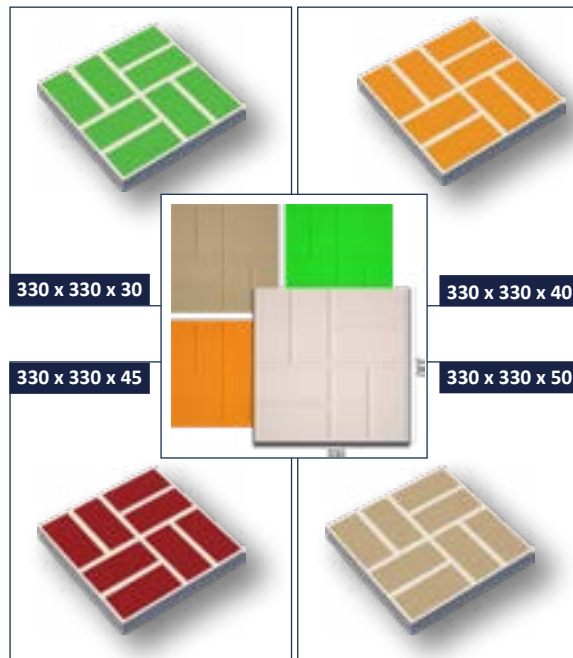
Standard Length:	330 mm	Optional Length:	mm
Standard Width:	330 mm	Optional Width:	mm
Standard Height:	30 mm	Optional Height:	mm
Std.bottom cover thickness:	(X)	Std.bottom cover thickness:	(X)



KR-NEMRUT - TILE STONE
STANDARD: 330 x 330 x 30 mm

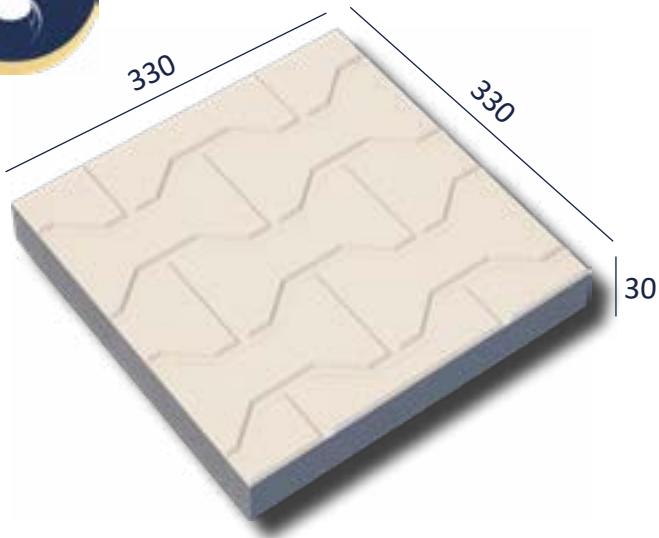


THICKNESSES



MEASUREMENTS

Standard Length:	330 mm	Optional Length:	mm
Standard Width:	330 mm	Optional Width:	mm
Standard Height:	30 mm	Optional Height:.....	mm
Std.bottom cover thickness:	(X)	Std.bottom cover thickness:	(X)



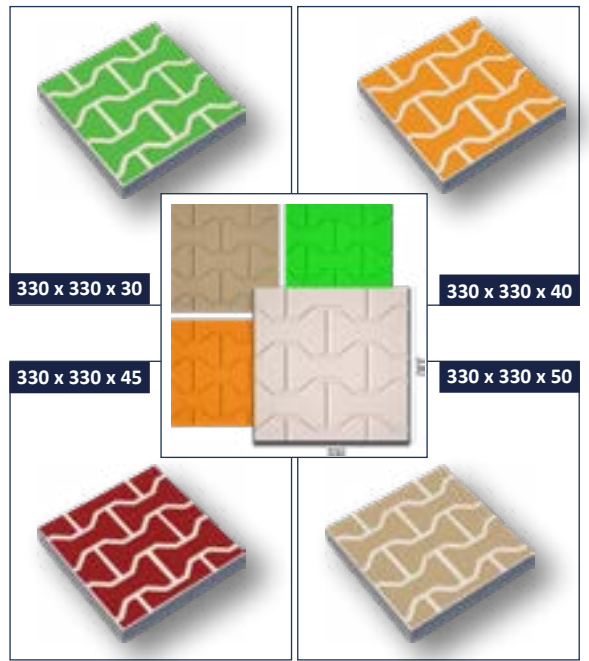
KR-PARKE - TILE STONE
 STANDARD: 330 x 330 x 30 mm



www.megamoulds.com

083

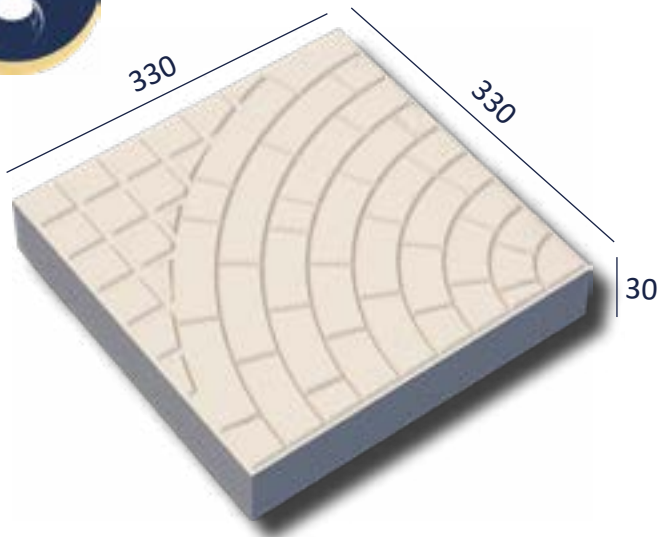
THICKNESSES



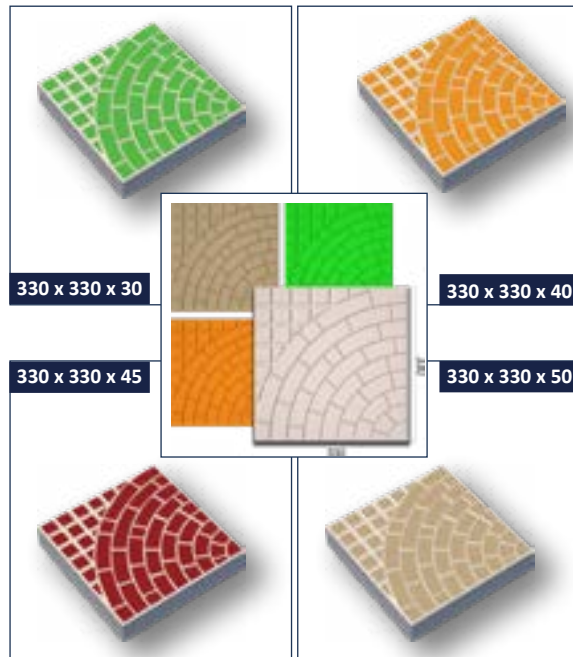
MEASUREMENTS

Standard Length:	330 mm	Optional Length:mm
Standard Width:	330 mm	Optional Width:mm
Standard Height:	30 mm	Optional Height:mm
Std.bottom cover thickness:	(X)	Std.bottom cover thickness:	(X)

+90 545 347 17 61
 +90 542 359 67 64
 +90 542 359 67 50
 +90 542 359 67 37
 +90 542 359 67 53
 +90 542 359 67 92



THICKNESSES



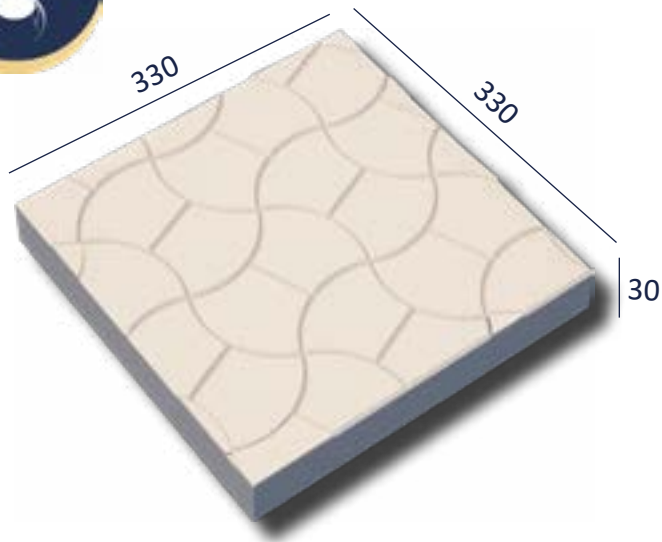
MEASUREMENTS

Standard Length:	330 mm	Optional Length:	mm
Standard Width:	330 mm	Optional Width:	mm
Standard Height:	30 mm	Optional Height:	mm
Std.bottom cover thickness:	(X)	Std.bottom cover thickness:	(X)

KR-PERGOMON - TILE STONE

STANDARD: 330 x 330 x 30 mm



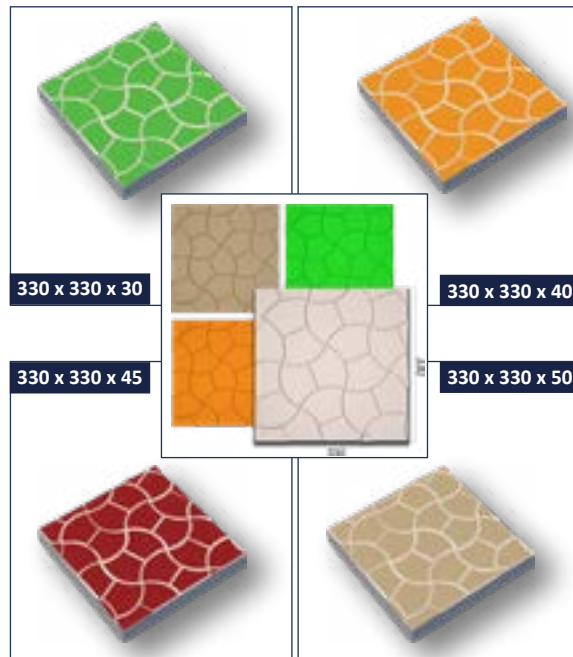


KR-PRIENE - TILE STONE

STANDARD: 330 x 330 x 30 mm

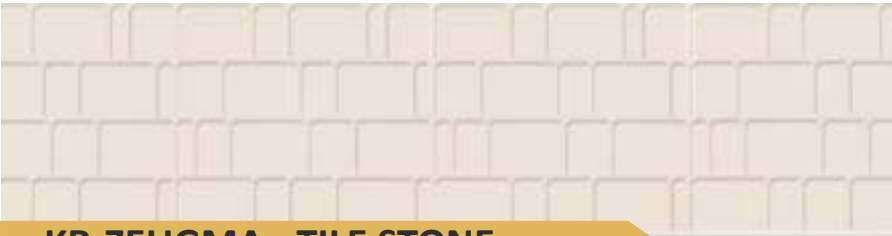
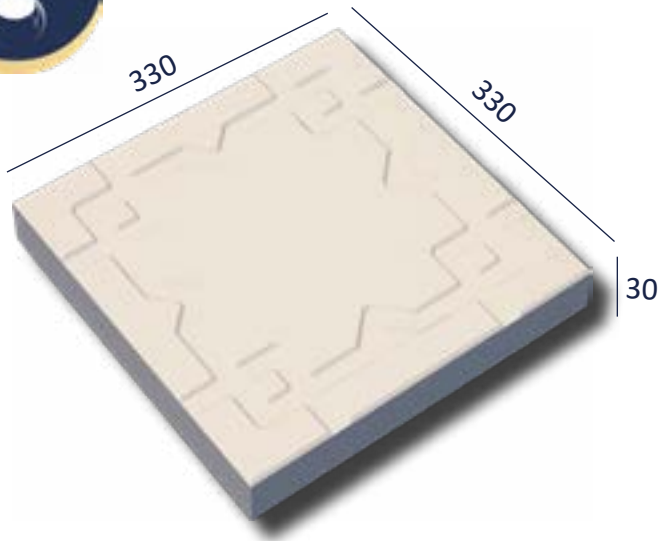


THICKNESSES



MEASUREMENTS

Standard Length:	330 mm	Optional Length:	mm
Standard Width:	330 mm	Optional Width:	mm
Standard Height:	30 mm	Optional Height:	mm
Std.bottom cover thickness:	(X)	Std.bottom cover thickness:	(X)



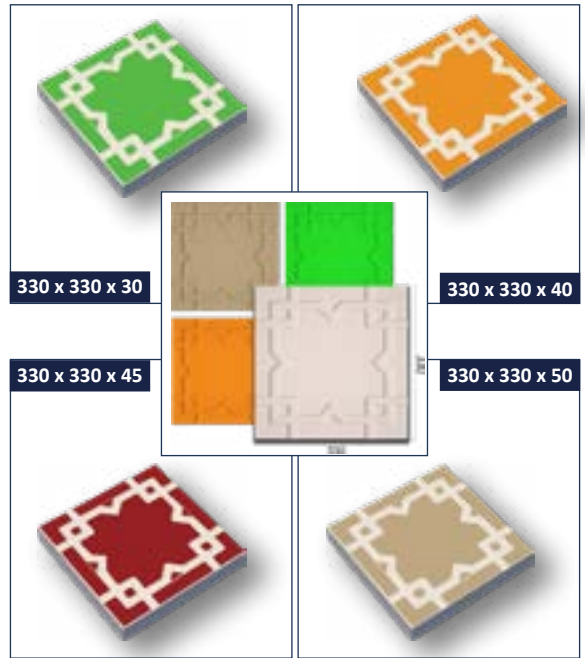
KR-ZEUGMA - TILE STONE

STANDARD: 330 x 330 x 30 mm



www.megamoulds.com

THICKNESSES



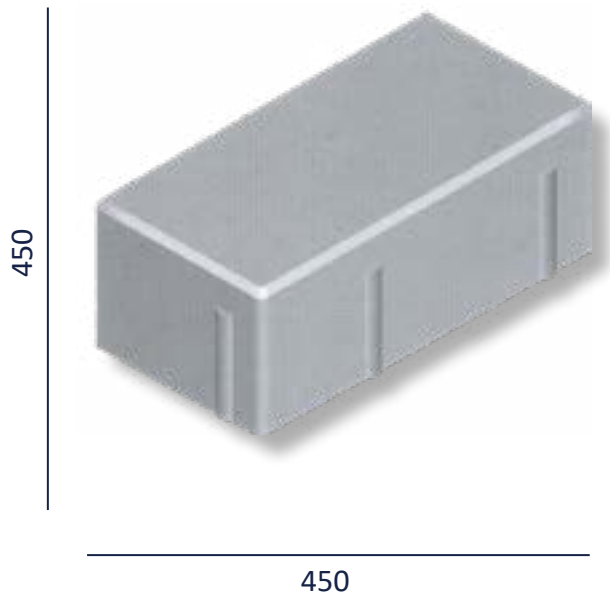
MEASUREMENTS

Standard Length:	330 mm	Optional Length:	mm
Standard Width:	330 mm	Optional Width:	mm
Standard Height:	30 mm	Optional Height:	mm
Std.bottom cover thickness:	(X)	Std.bottom cover thickness:	(X)

+90 545 347 17 61
 +90 542 359 67 64
 +90 542 359 67 50
 +90 542 359 67 37
 +90 542 359 67 53
 +90 542 359 67 92



WATER DRAINAGE STONE MOULD SAMPLES



BRD - 218 / WATER DRAINAGE

STANDARD: 450 x 450 x 50 mm



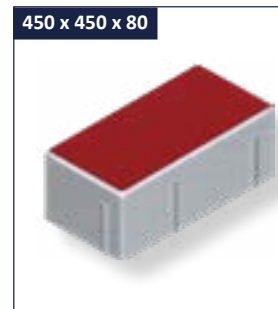
THICKNESSES



450 x 450 x 50



450 x 450 x 60



450 x 450 x 80



450 x 450 x 100

MEASUREMENTS

Standard Length:	450 mm	Optional Length:mm
Standard Width:	450 mm	Optional Width:mm
Standard Height:	50 mm	Optional Height:mm
Std.bottom cover thickness:	(X)	Std.bottom cover thickness:	(X)

450

330



BRD - 231 / WATER DRAINAGE

STANDARD: 450 x 330 x 50 mm



THICKNESSES



450 x 330 x 50



450 x 330 x 60

450 x 330 x 80



450 x 330 x 100

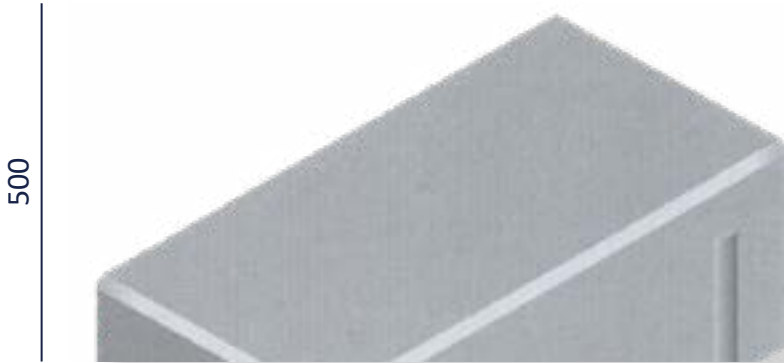


MEASUREMENTS

Standard Length:	450 mm	Optional Length:	mm
Standard Width:	330 mm	Optional Width:	mm
Standard Height:	50 mm	Optional Height:.....	mm
Std.bottom cover thickness:	(X)	Std.bottom cover thickness:	(X)



1000



500

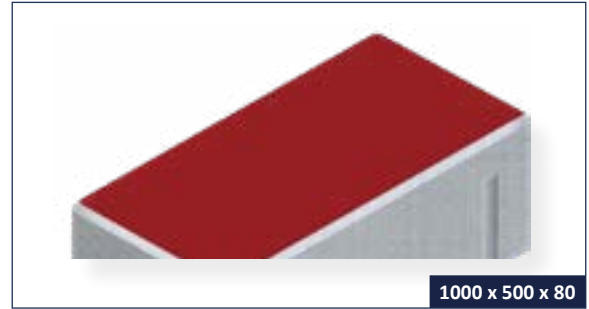
I - 003 / WATER DRAINAGE

STANDARD: 1000 x 500 x 80 mm

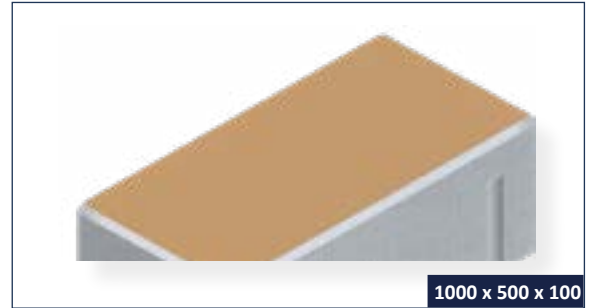
www.megamoulds.com



THICKNESSES



1000 x 500 x 80



1000 x 500 x 100

MEASUREMENTS

Standard Length:	1000 mm	Optional Length:	mm
Standard Width:	500 mm	Optional Width:	mm
Standard Height:	80 mm	Optional Height:.....	mm
Std.bottom cover thickness:	(X)	Std.bottom cover thickness:	(X)



+90 545 347 17 61



+90 542 359 67 64



+90 542 359 67 50



+90 542 359 67 37



+90 542 359 67 53

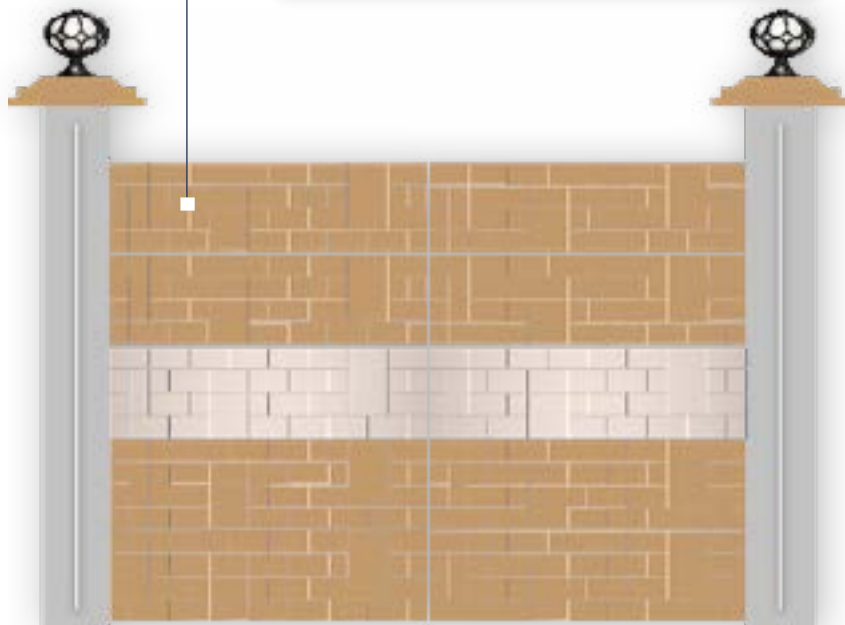
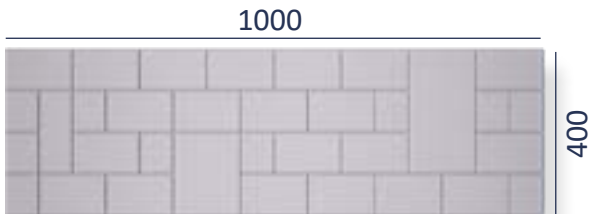


+90 542 359 67 92

080



PATTERNED WALL STONE MOULD SAMPLES



THICKNESSES



MEASUREMENTS

Standard Length:	1000 mm	Optional Length:	mm
Standard Width:	400 mm	Optional Width:	mm
Standard Height:	60 mm	Optional Height:	mm
Std.bottom cover thickness:	(X)	Std.bottom cover thickness:	(X)

DP - PATTERNED WALL PANELS MD-1

STANDARD: 1000 x 400 x 60 mm



www.megamoulds.com

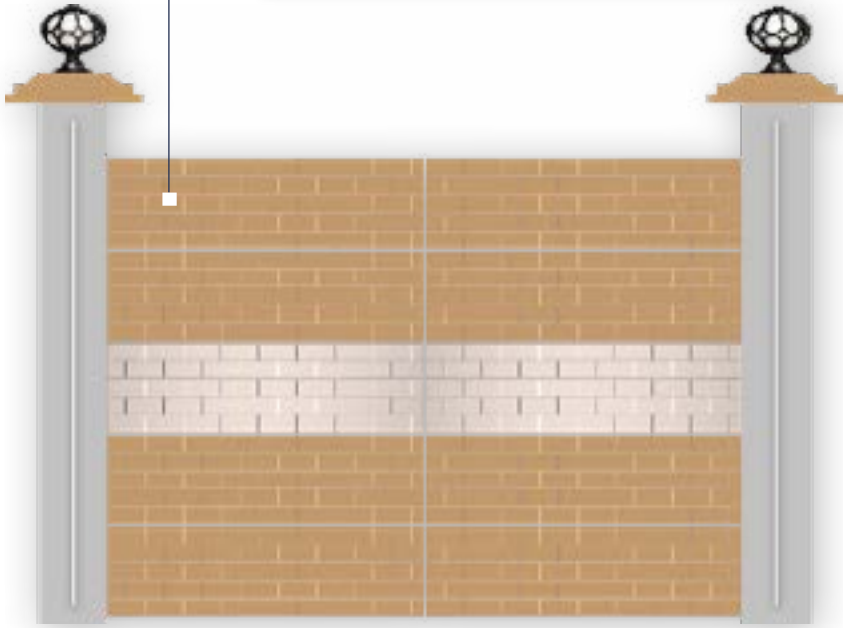
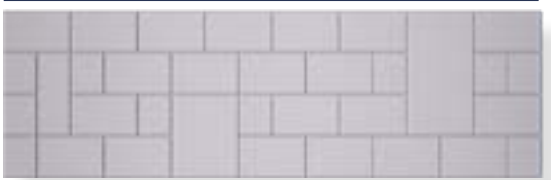
+90 545 347 17 61
 +90 542 359 67 64
 +90 542 359 67 50
 +90 542 359 67 37
 +90 542 359 67 53
 +90 542 359 67 92

060



1000

400



THICKNESSES



MEASUREMENTS

Standard Length:	1000 mm	Optional Length:	mm
Standard Width:	400 mm	Optional Width:	mm
Standard Height:	60 mm	Optional Height:.....	mm
Std.bottom cover thickness:	(X)	Std.bottom cover thickness:	(X)

DP - PATTERNED WALL PANELS MD-2

STANDARD: 1000 x 400 x 60 mm

091

www.megamoulds.com

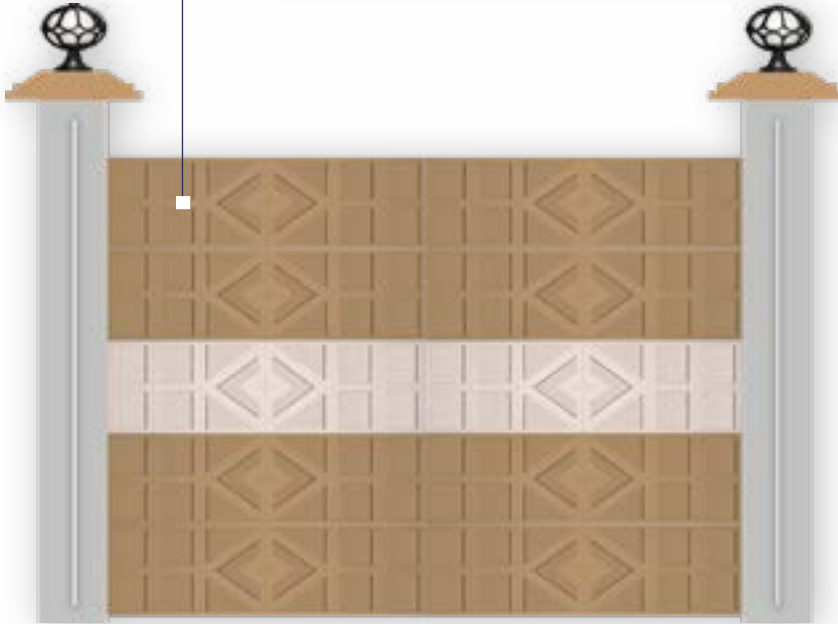


- +90 545 347 17 61
- +90 542 359 67 64
- +90 542 359 67 50
- +90 542 359 67 37
- +90 542 359 67 53
- +90 542 359 67 92



1000

400



DP - PATTERNED WALL PANELS MD-3

STANDARD: 1000 x 400 x 60 mm



www.megamoulds.com

THICKNESSES



MEASUREMENTS

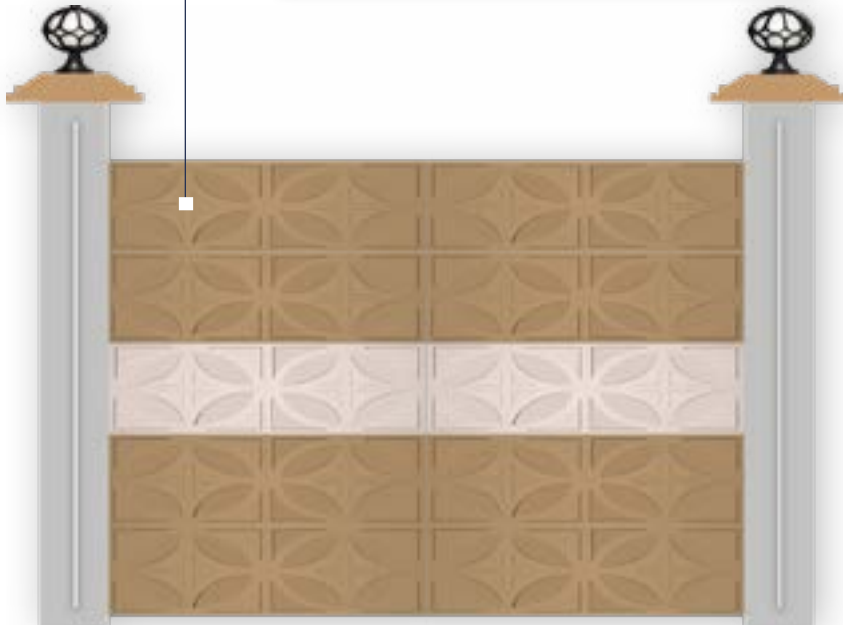
Standard Length:	1000 mm	Optional Length:	mm
Standard Width:	400 mm	Optional Width:	mm
Standard Height:	60 mm	Optional Height:	mm
Std.bottom cover thickness:	(X)	Std.bottom cover thickness:	(X)

+90 545 347 17 61
 +90 542 359 67 64
 +90 542 359 67 50
 +90 542 359 67 37
 +90 542 359 67 53
 +90 542 359 67 92



1000

400



DP - PATTERNED WALL PANELS MD - 4

STANDARD: 1000 x 400 x 60 mm



THICKNESSES



1000 X 400 X 60



1000 X 400 X 80



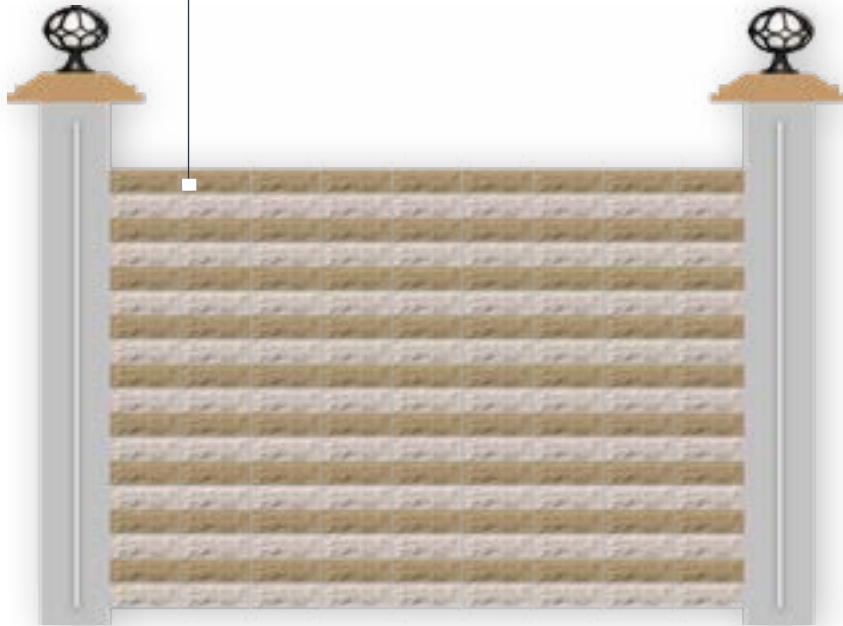
1000 X 400 X 100

MEASUREMENTS

Standard Length:	1000 mm	Optional Length:	mm
Standard Width:	400 mm	Optional Width:	mm
Standard Height:	60 mm	Optional Height:.....	mm
Std.bottom cover thickness:	(X)	Std.bottom cover thickness:	(X)



ROUGH WALLSTONE MOULD SAMPLES



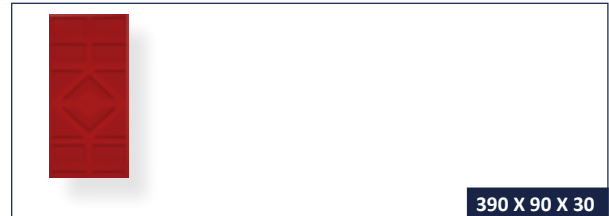
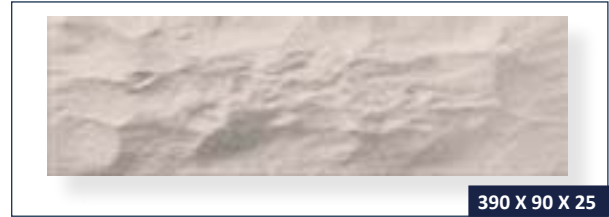
YP - WALL COVERING MD - 1
STANDARD: 390 x 90 x 25 mm

094

www.megamoulds.com



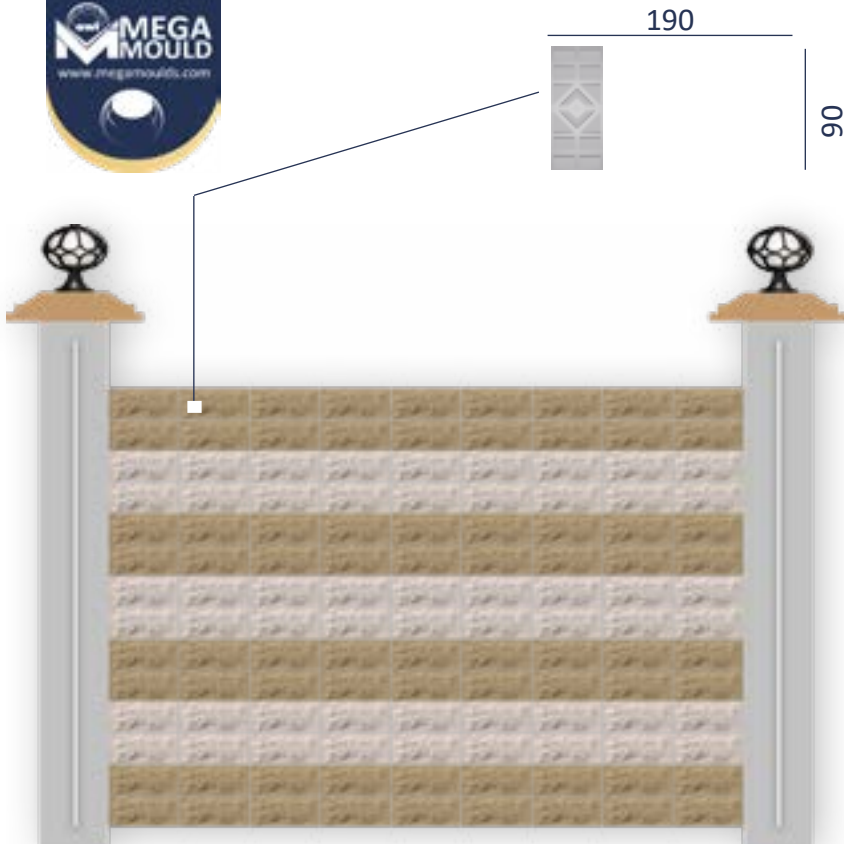
THICKNESSES



MEASUREMENTS

Standard Length:	390 mm	Optional Length:	mm
Standard Width:	90 mm	Optional Width:	mm
Standard Height:	25 mm	Optional Height:.....	mm
Std.bottom cover thickness:	(X)	Std.bottom cover thickness:	(X)

+90 545 347 17 61
 +90 542 359 67 64
 +90 542 359 67 50
 +90 542 359 67 37
 +90 542 359 67 53
 +90 542 359 67 92



190

90

THICKNESSES



190 X 90 X 25



190 X 90 X 30



190 X 90 X 35

MEASUREMENTS

Standard Length:	190 mm	Optional Length:	mm
Standard Width:	90 mm	Optional Width:	mm
Standard Height:	25 mm	Optional Height:.....	mm
Std.bottom cover thickness:	(X)	Std.bottom cover thickness:	(X)

YP - WALL COVERING MD - 2

STANDARD: 190 x 90 x 25 mm



www.megamoulds.com

+90 545 347 17 61
 +90 542 359 67 64
 +90 542 359 67 50
 +90 542 359 67 37
 +90 542 359 67 53
 +90 542 359 67 92

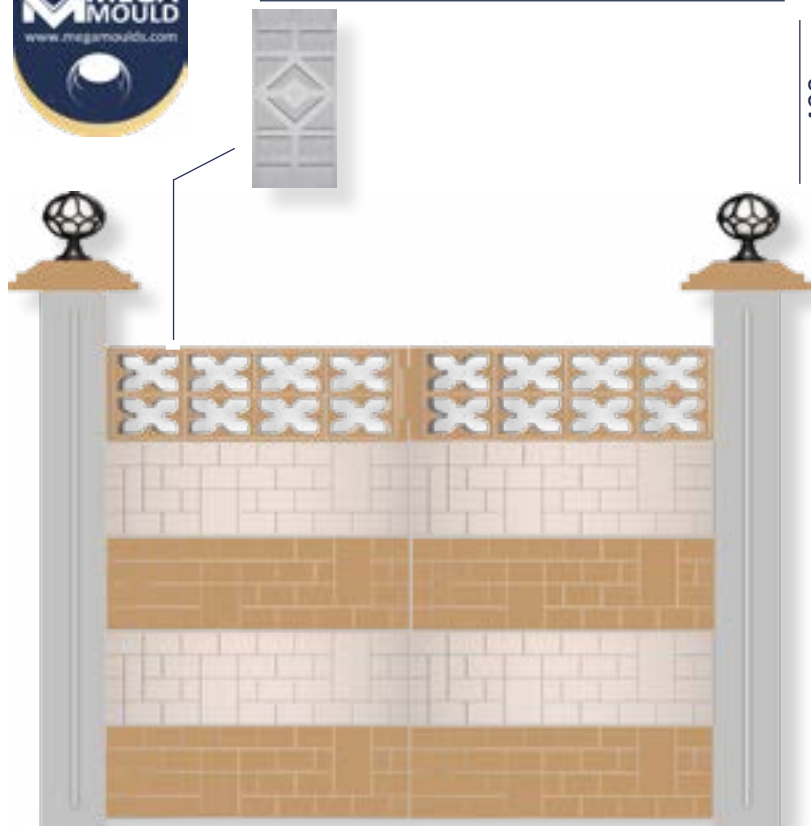
060



GARDEN WALL MOULD SAMPLES

1000

400



BD - YONCA / GARDEN WALL

STANDARD: 1000 X 400 X 60 mm

www.megamoulds.com



THICKNESSES



1000 X 400 X 60



1000 X 400 X 80



1000 X 400 X 100

MEASUREMENTS

Standard Length:	1000 mm	Optional Length:	mm
Standard Width:	400 mm	Optional Width:	mm
Standard Height:	60 mm	Optional Height:.....	mm
Std.bottom cover thickness:	(X)	Std.bottom cover thickness:	(X)



+90 545 347 17 61



+90 542 359 67 64



+90 542 359 67 50



+90 542 359 67 37



+90 542 359 67 53



+90 542 359 67 92

960



1000

400



BD - PRIZMA / GARDEN WALL

STANDARD: 1000 X 400 X 60 mm



www.megamoulds.com

THICKNESSES



1000 X 400 X 60



1000 X 400 X 80



1000 X 400 X 100

MEASUREMENTS

Standard Length:	1000 mm	Optional Length:	mm
Standard Width:	400 mm	Optional Width:	mm
Standard Height:	60 mm	Optional Height:	mm
Std.bottom cover thickness:	(X)	Std.bottom cover thickness:	(X)



1000

400



THICKNESSES



MEASUREMENTS

Standard Length:	1000 mm	Optional Length:	mm
Standard Width:	400 mm	Optional Width:	mm
Standard Height:	60 mm	Optional Height:.....	mm
Std.bottom cover thickness:	(X)	Std.bottom cover thickness:	(X)

BD - OSMANLI / GARDEN WALL

STANDARD: 1000 X 400 X 60 mm



www.megamoulds.com

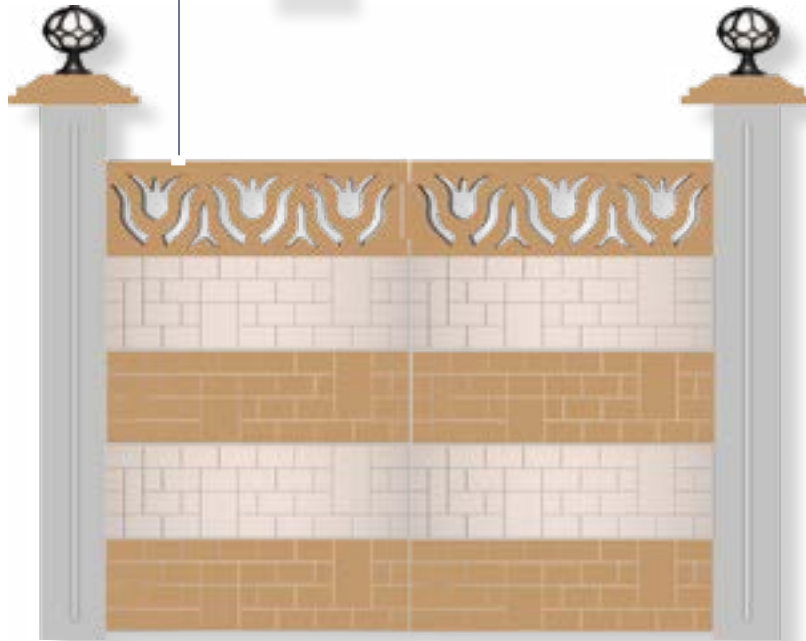
+90 545 347 17 61
 +90 542 359 67 64
 +90 542 359 67 50
 +90 542 359 67 37
 +90 542 359 67 53
 +90 542 359 67 92

030



1000

400



BD - LALE / GARDEN WALL

STANDARD: 1000 X 400 X 60 mm



THICKNESSES



1000 X 400 X 60



1000 X 400 X 80



1000 X 400 X 100

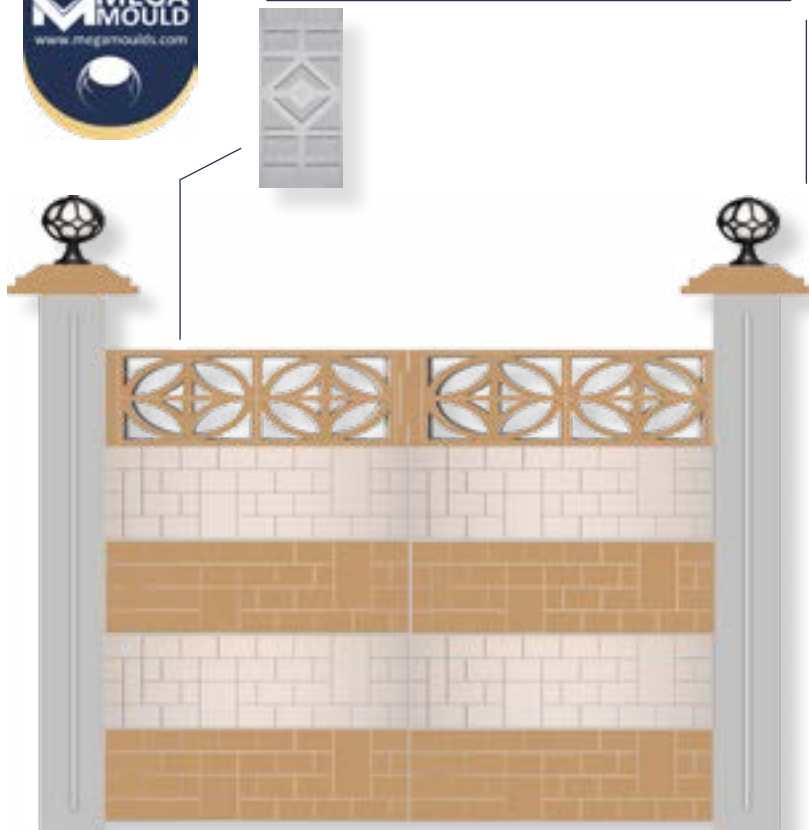
MEASUREMENTS

Standard Length:	1000 mm	Optional Length:mm
Standard Width:	400 mm	Optional Width:mm
Standard Height:	60 mm	Optional Height:mm
Std.bottom cover thickness:	(X)	Std.bottom cover thickness:	(X)



1000

400



BD - HILAL / GARDEN WALL

STANDARD: 1000 X 400 X 60 mm



www.megamoulds.com

THICKNESSES



MEASUREMENTS

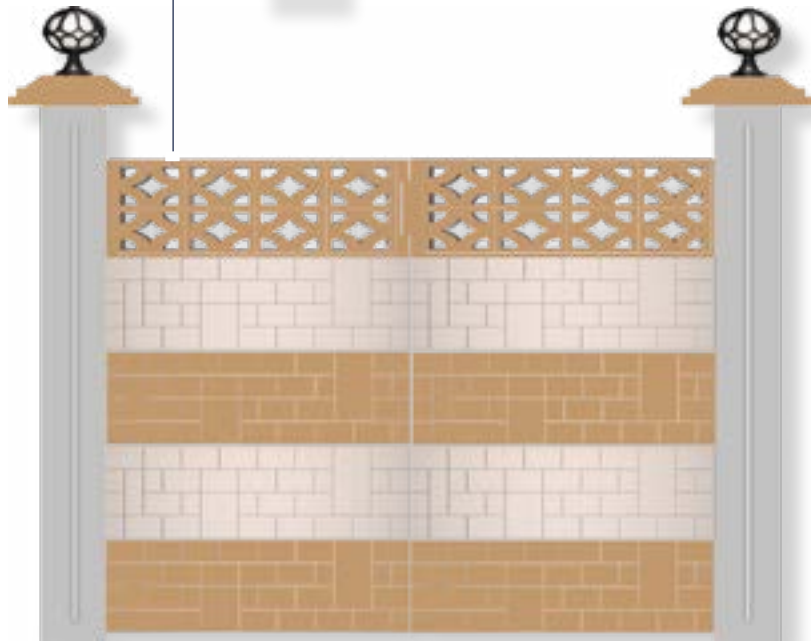
Standard Length:	1000 mm	Optional Length:	mm
Standard Width:	400 mm	Optional Width:	mm
Standard Height:	60 mm	Optional Height:.....	mm
Std.bottom cover thickness:	(X)	Std.bottom cover thickness:	(X)

+90 545 347 17 61
 +90 542 359 67 64
 +90 542 359 67 50
 +90 542 359 67 37
 +90 542 359 67 53
 +90 542 359 67 92



1000

400



BD - ELIPS / GARDEN WALL

STANDARD: 1000 X 400 X 60 mm



THICKNESSES



1000 X 400 X 60



1000 X 400 X 80



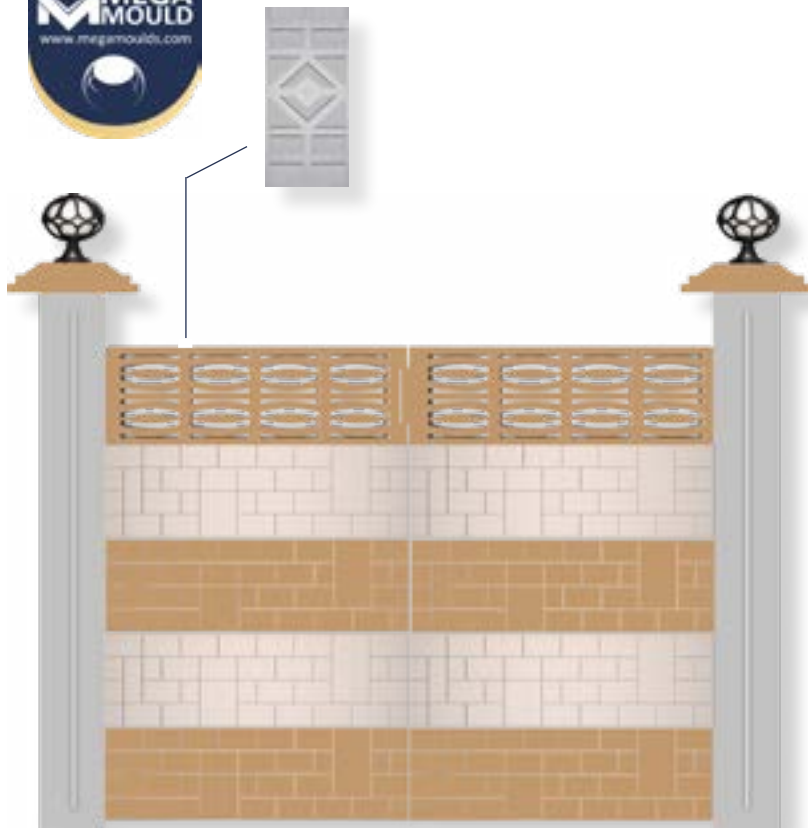
1000 X 400 X 100

MEASUREMENTS

Standard Length:	1000 mm	Optional Length:	mm
Standard Width:	400 mm	Optional Width:	mm
Standard Height:	60 mm	Optional Height:	mm
Std.bottom cover thickness:	(X)	Std.bottom cover thickness:	(X)

1000

400



THICKNESSES



MEASUREMENTS

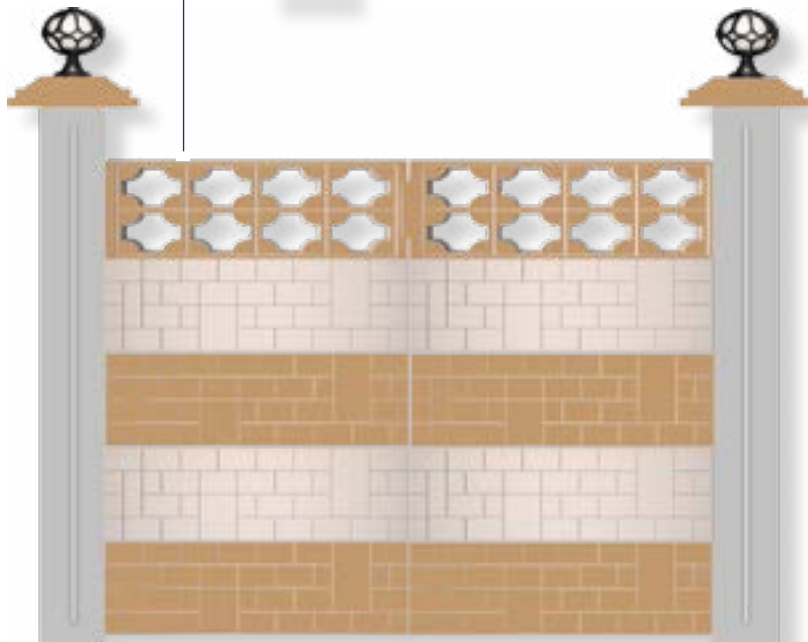
Standard Length:	1000 mm	Optional Length:	mm
Standard Width:	400 mm	Optional Width:	mm
Standard Height:	60 mm	Optional Height:	mm
Std.bottom cover thickness:	(X)	Std.bottom cover thickness:	(X)

BD - LENS / GARDEN WALL
STANDARD: 1000 X 400 X 60 mm



1000

400



THICKNESSES



MEASUREMENTS

Standard Length:	1000 mm	Optional Length:	mm
Standard Width:	400 mm	Optional Width:	mm
Standard Height:	60 mm	Optional Height:.....	mm
Std.bottom cover thickness:	(X)	Std.bottom cover thickness:	(X)

BD - CINAR / GARDEN WALL

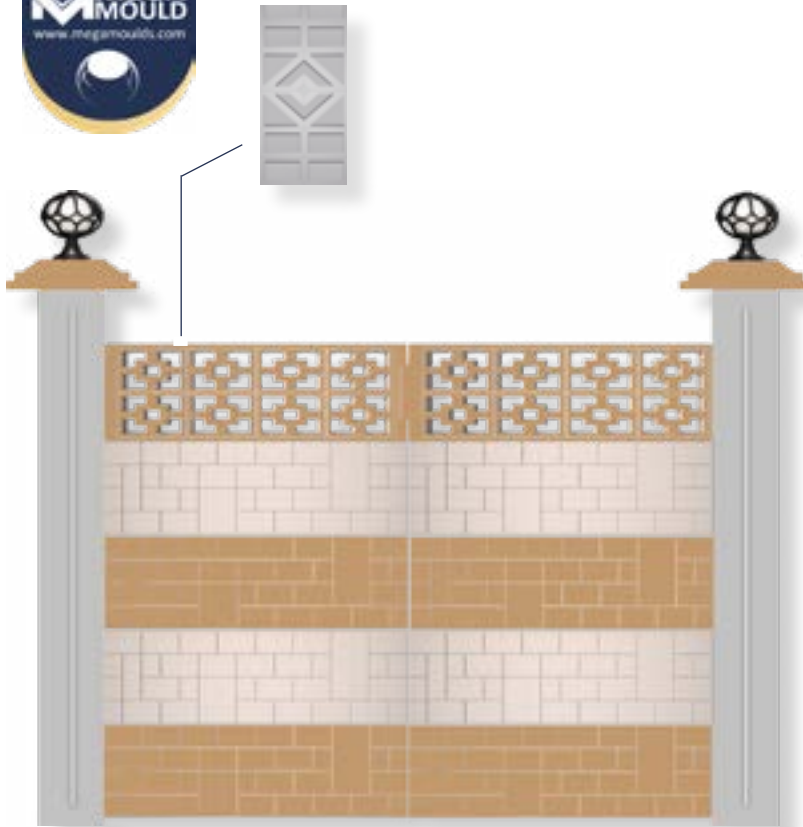
STANDARD: 1000 X 400 X 60 mm





1000

400



THICKNESSES



MEASUREMENTS

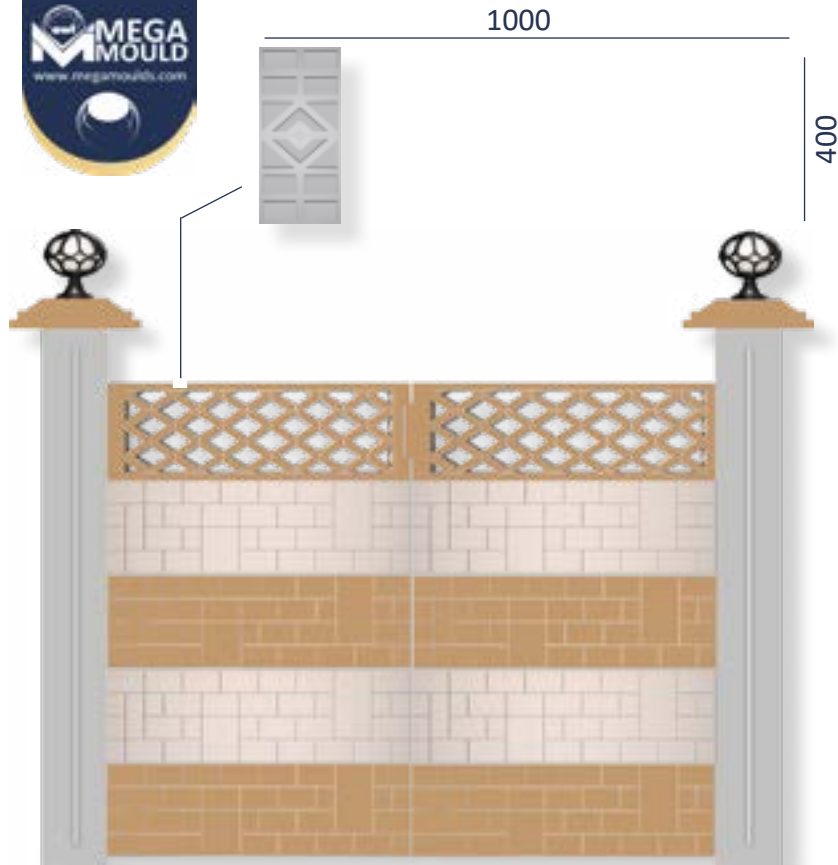
Standard Length:	1000 mm	Optional Length:	mm
Standard Width:	400 mm	Optional Width:	mm
Standard Height:	60 mm	Optional Height:.....	mm
Std.bottom cover thickness:	(X)	Std.bottom cover thickness:	(X)

BD - KAFES / GARDEN WALL
 STANDARD: 1000 X 400 X 60 mm



www.megamoulds.com

+90 545 347 17 61
 +90 542 359 67 64
 +90 542 359 67 50
 +90 542 359 67 37
 +90 542 359 67 53
 +90 542 359 67 92



BD - BASAK / GARDEN WALL
STANDARD: 1000 X 400 X 60 mm



www.megamoulds.com

THICKNESSES



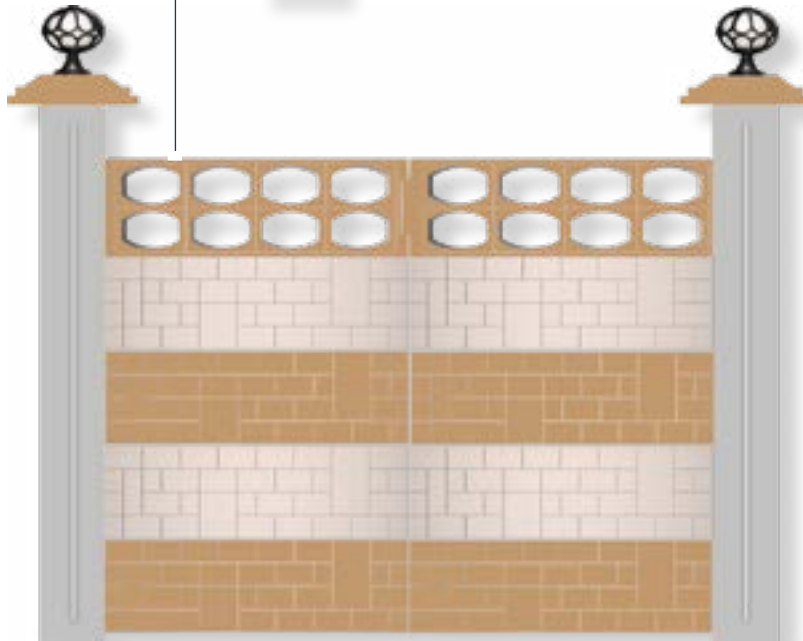
MEASUREMENTS

Standard Length:	1000 mm	Optional Length:	mm
Standard Width:	400 mm	Optional Width:	mm
Standard Height:	60 mm	Optional Height:.....	mm
Std.bottom cover thickness:	(X)	Std.bottom cover thickness:	(X)



1000

400



THICKNESSES



MEASUREMENTS

Standard Length:	1000 mm	Optional Length:	mm
Standard Width:	400 mm	Optional Width:	mm
Standard Height:	60 mm	Optional Height:.....	mm
Std.bottom cover thickness:	(X)	Std.bottom cover thickness:	(X)

BD - PETEK / GARDEN WALL

STANDARD: 1000 X 400 X 60 mm



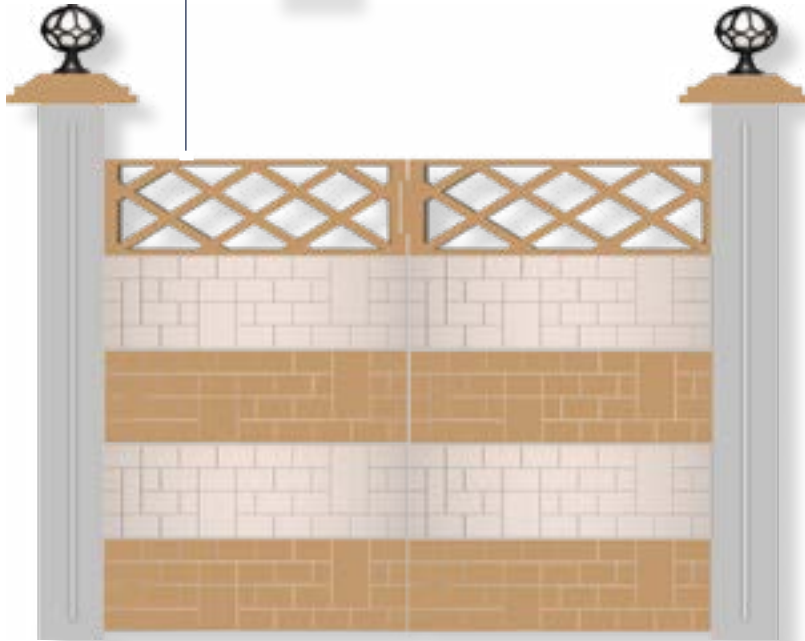
www.megamoulds.com

+90 545 347 17 61
 +90 542 359 67 64
 +90 542 359 67 50
 +90 542 359 67 37
 +90 542 359 67 53
 +90 542 359 67 92



1000

400



BD - ZUMRUT / GARDEN WALL

STANDARD: 1000 x 400 x 60 mm



THICKNESSES



1000 X 400 X 60



1000 X 400 X 80



1000 X 400 X 100

MEASUREMENTS

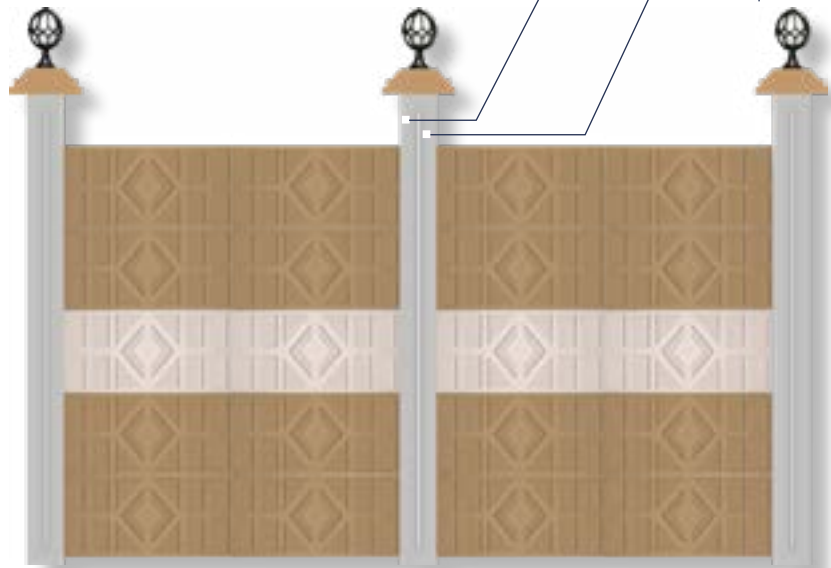
Standard Length:	1000 mm	Optional Length:	mm
Standard Width:	400 mm	Optional Width:	mm
Standard Height:	60 mm	Optional Height:	mm
Std.bottom cover thickness:	(X)	Std.bottom cover thickness:	(X)



www.megamoulds.com



FENCING POLE MOULD SAMPLES

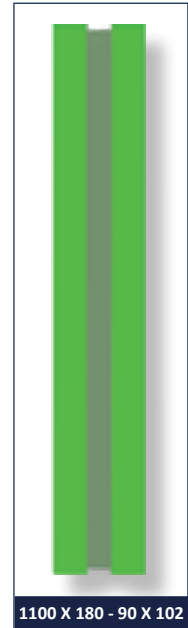
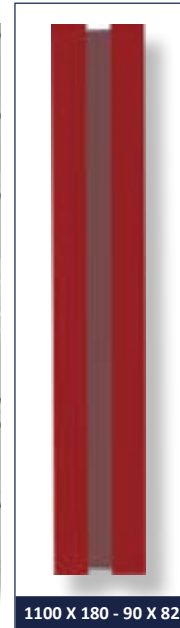


BRS - FENCING POLE MD - 1

STANDARD: 1100 x 180 - 90 x 62 mm

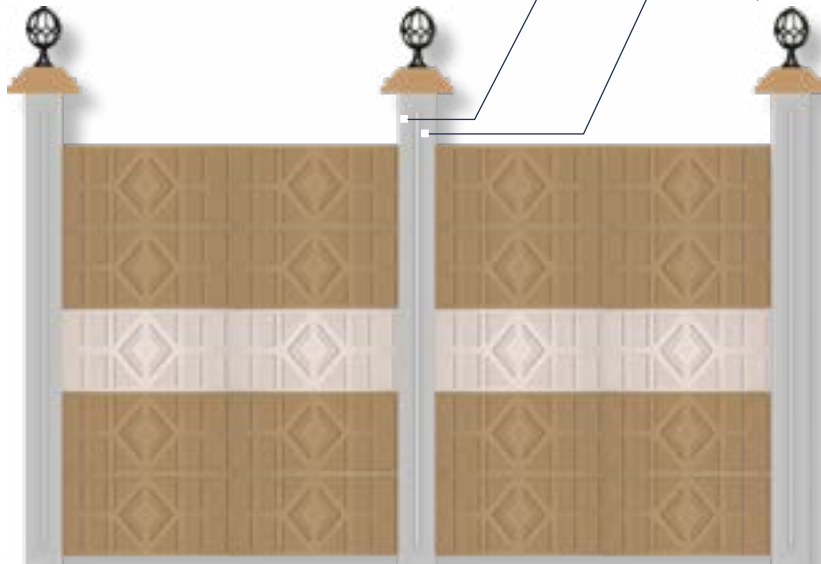
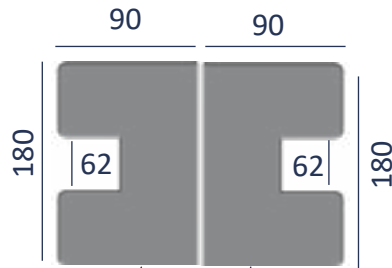


THICKNESSES



MEASUREMENTS

Standard Length:	1100 mm	Optional Length:	mm
Standard Width:	180 - 90 mm	Optional Width:	mm
Standard Height:	62 mm	Optional Height:	mm
Std.bottom cover thickness:	(X)	Std.bottom cover thickness:	(X)



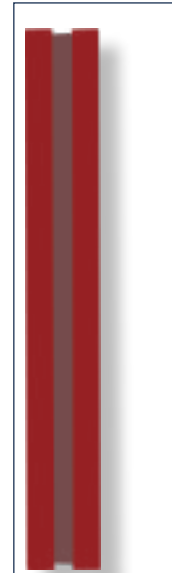
BRS - FENCING POLE MD - 2
STANDARD: 1100 x 180 - 90 x 62 mm



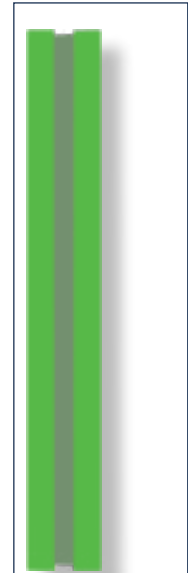
THICKNESSES



1100 X 180 - 90 X 62



1100 X 180 - 90 X 82



1100 X 180 - 90 X 102

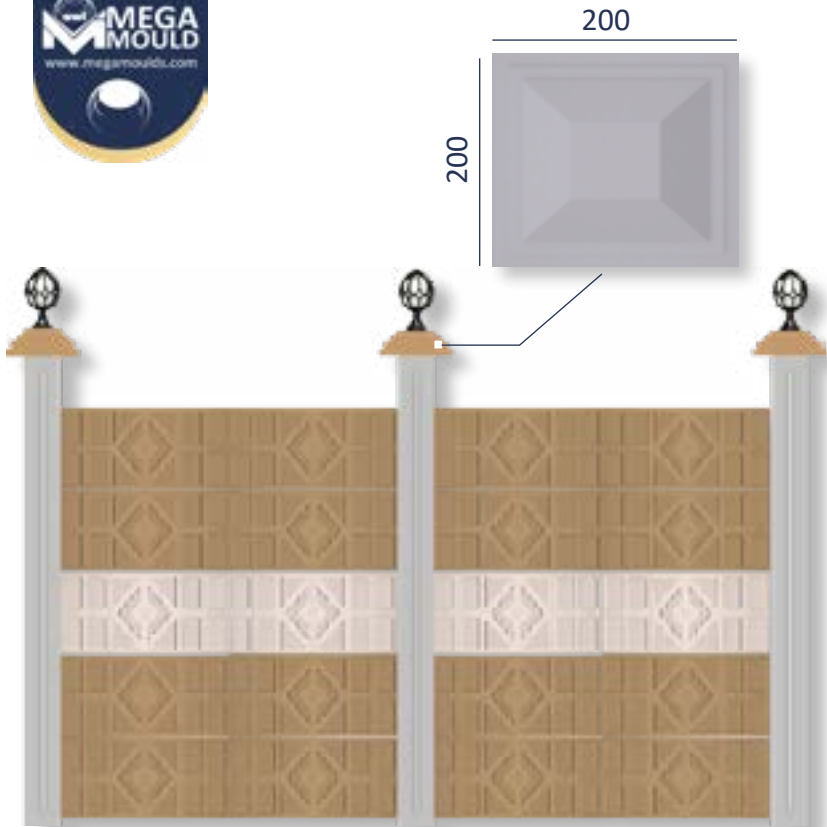
MEASUREMENTS

Standard Length:	1100 mm	Optional Length:	mm
Standard Width:	180 - 90 mm	Optional Width:	mm
Standard Height:	62 mm	Optional Height:.....	mm
Std.bottom cover thickness:	(X)	Std.bottom cover thickness:	(X)





FACING STONE MOULD SAMPLES



DRK - COVERING STONE

STANDARD: 200 x 200 x 40 mm



THICKNESSES



200 x 200 x 40



200 x 200 x 50

200 x 200 x 60



200 x 200 x 70



MEASUREMENTS

Standard Length:	200 mm	Optional Length:	mm
Standard Width:	200 mm	Optional Width:	mm
Standard Height:	40 mm	Optional Height:.....	mm
Std.bottom cover thickness:	(X)	Std.bottom cover thickness:	(X)



+90 545 347 17 61



+90 542 359 67 64



+90 542 359 67 50



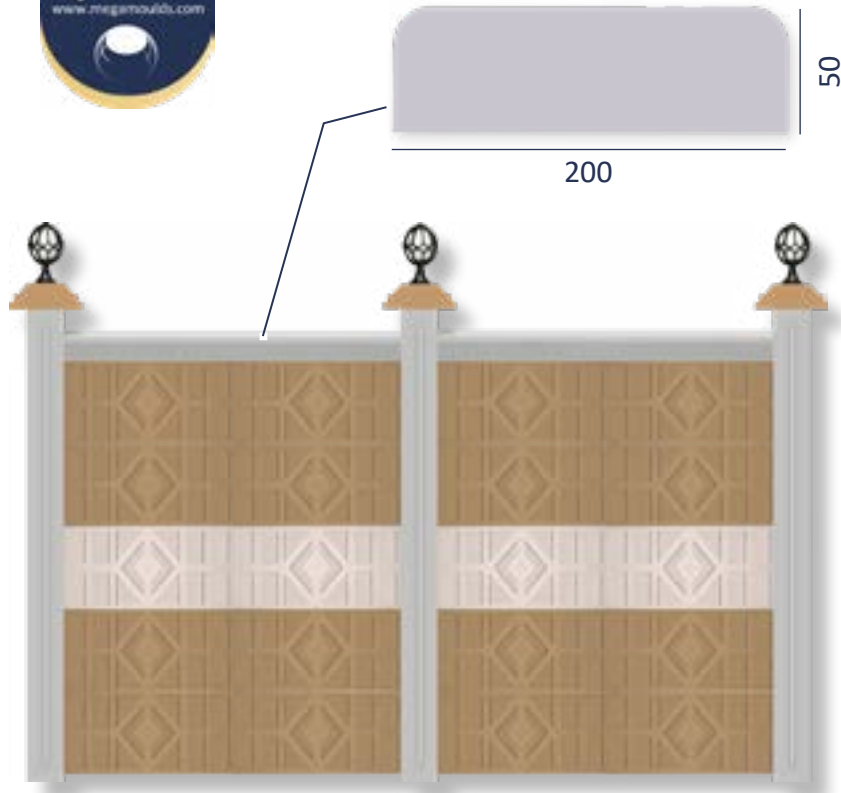
+90 542 359 67 37



+90 542 359 67 53



+90 542 359 67 92

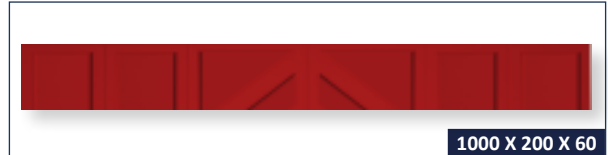


UPPER COVERING STONE
STANDARD: 1000 x 200 x 50 mm



www.megamoulds.com

THICKNESSES



MEASUREMENTS

Standard Length:	1000 mm	Optional Length:	mm
Standard Width:	200 mm	Optional Width:	mm
Standard Height:	50 mm	Optional Height:.....	mm
Std.bottom cover thickness:	(X)	Std.bottom cover thickness:	(X)



LOWER COVERING STONE

STANDARD: 1000 x 200 x 50 mm



www.megamoulds.com

THICKNESSES



1000 X 200 X 50



1000 X 200 X 60



1000 X 200 X 70



1000 X 200 X 80

MEASUREMENTS

Standard Length:	1000 mm	Optional Length:	mm
Standard Width:	200 mm	Optional Width:	mm
Standard Height:	50 mm	Optional Height:.....	mm
Std.bottom cover thickness:	(X)	Std.bottom cover thickness:	(X)



+90 545 347 17 61



+90 542 359 67 64



+90 542 359 67 50



+90 542 359 67 37



+90 542 359 67 53

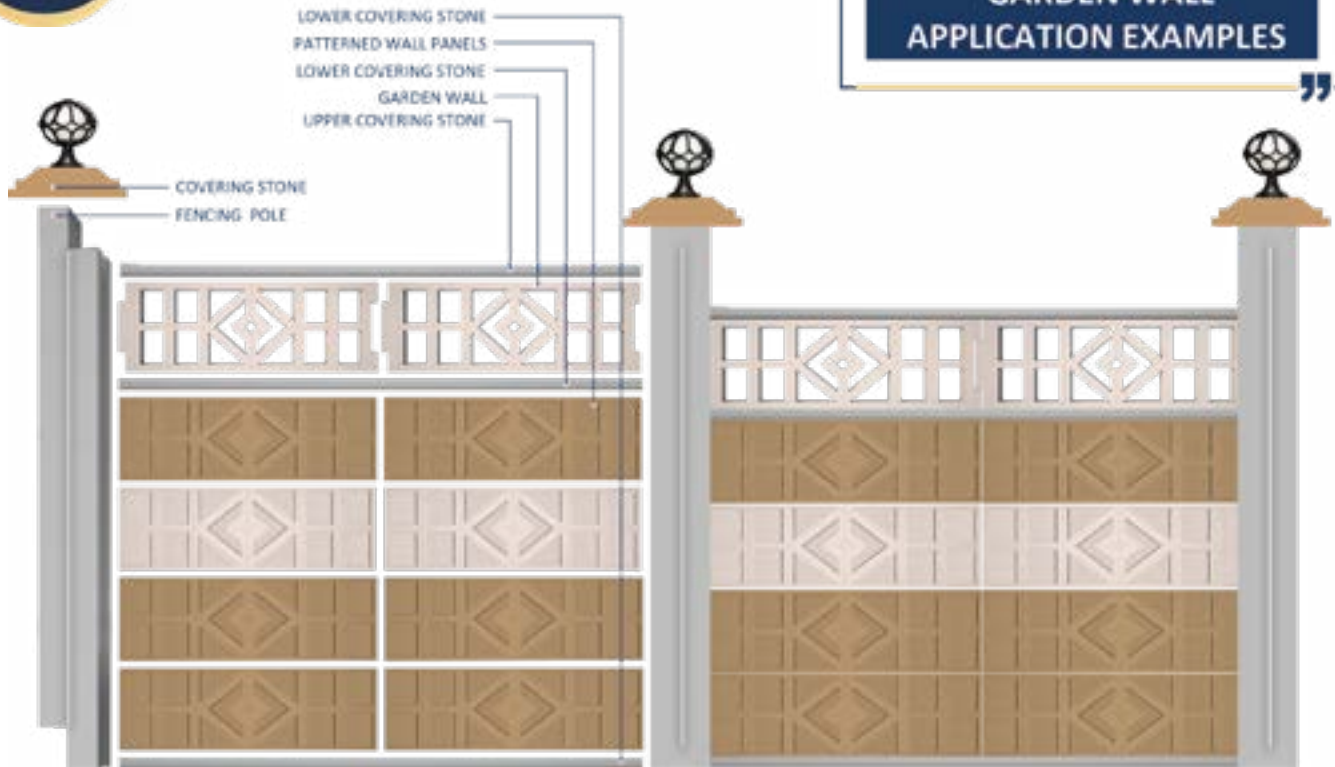


+90 542 359 67 92

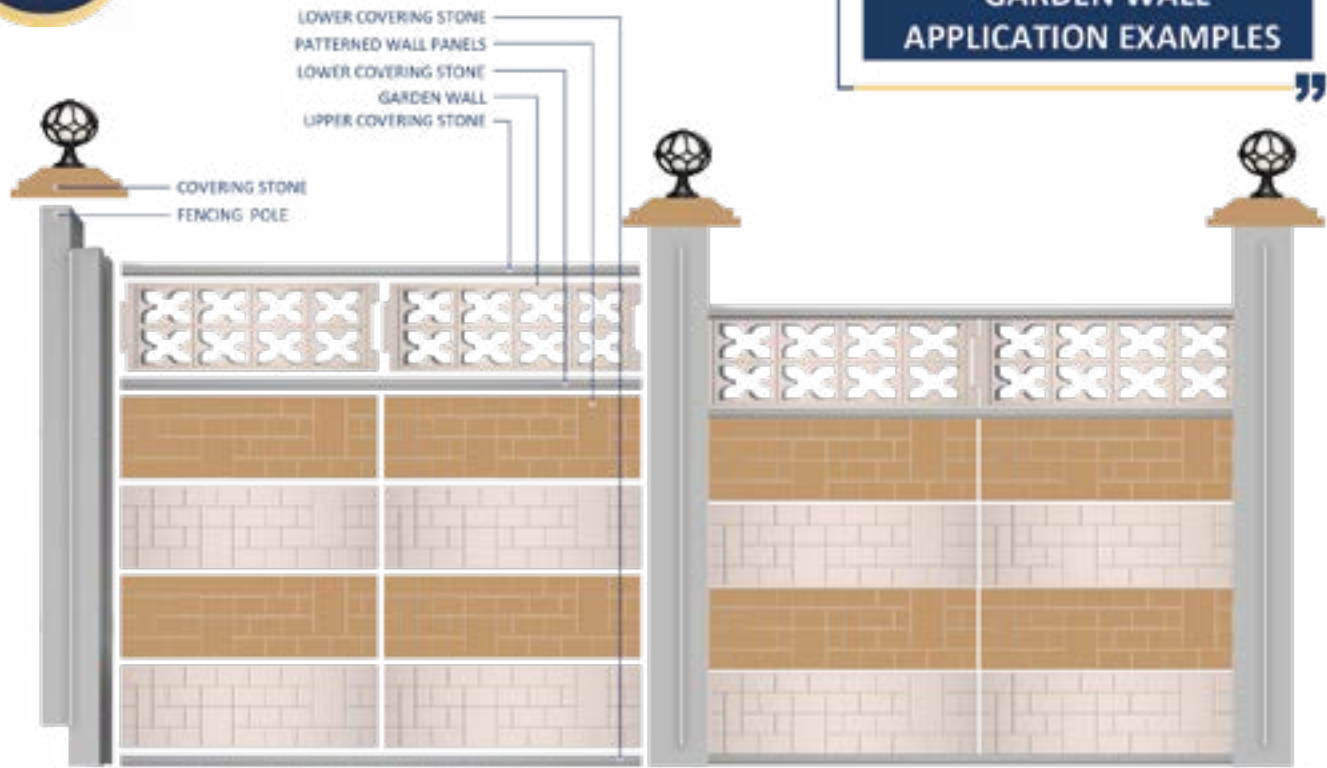


GARDEN WALL APPLICATION EXAMPLES

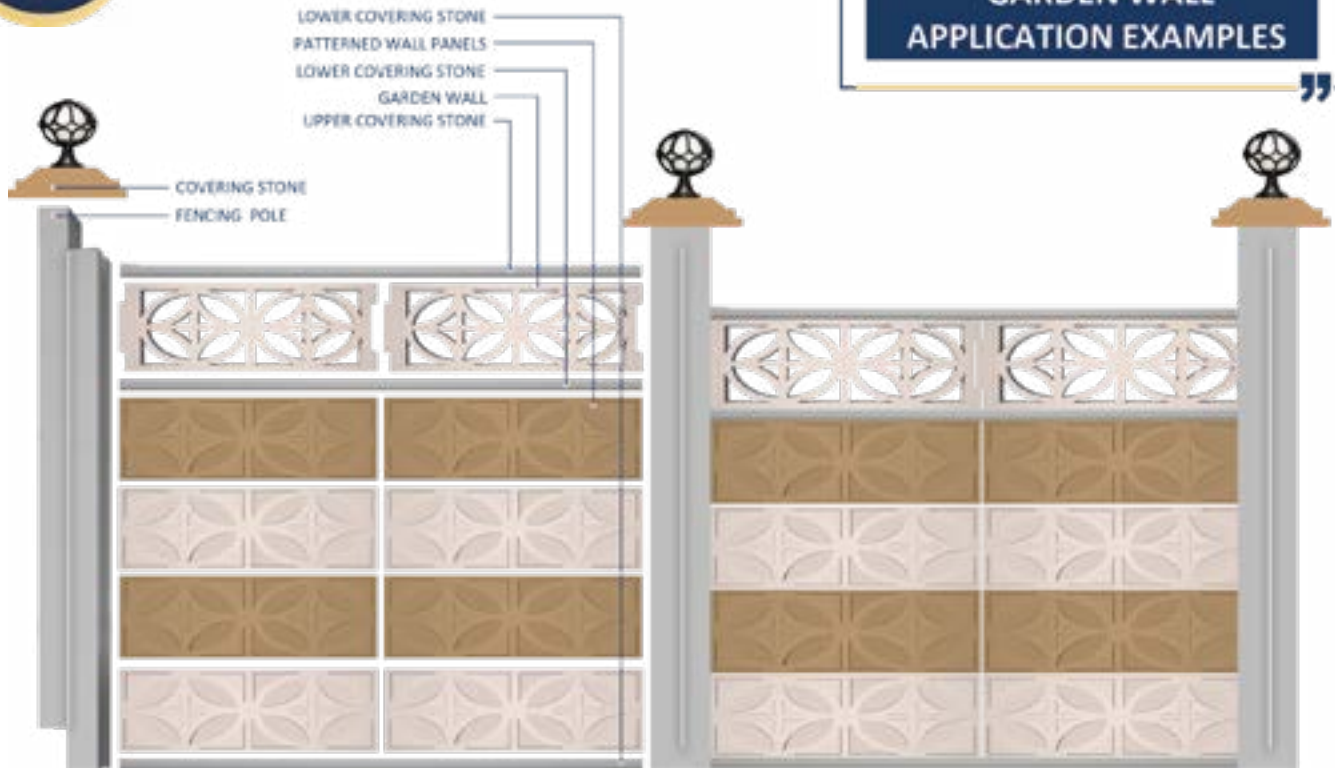
GARDEN WALL APPLICATION EXAMPLES

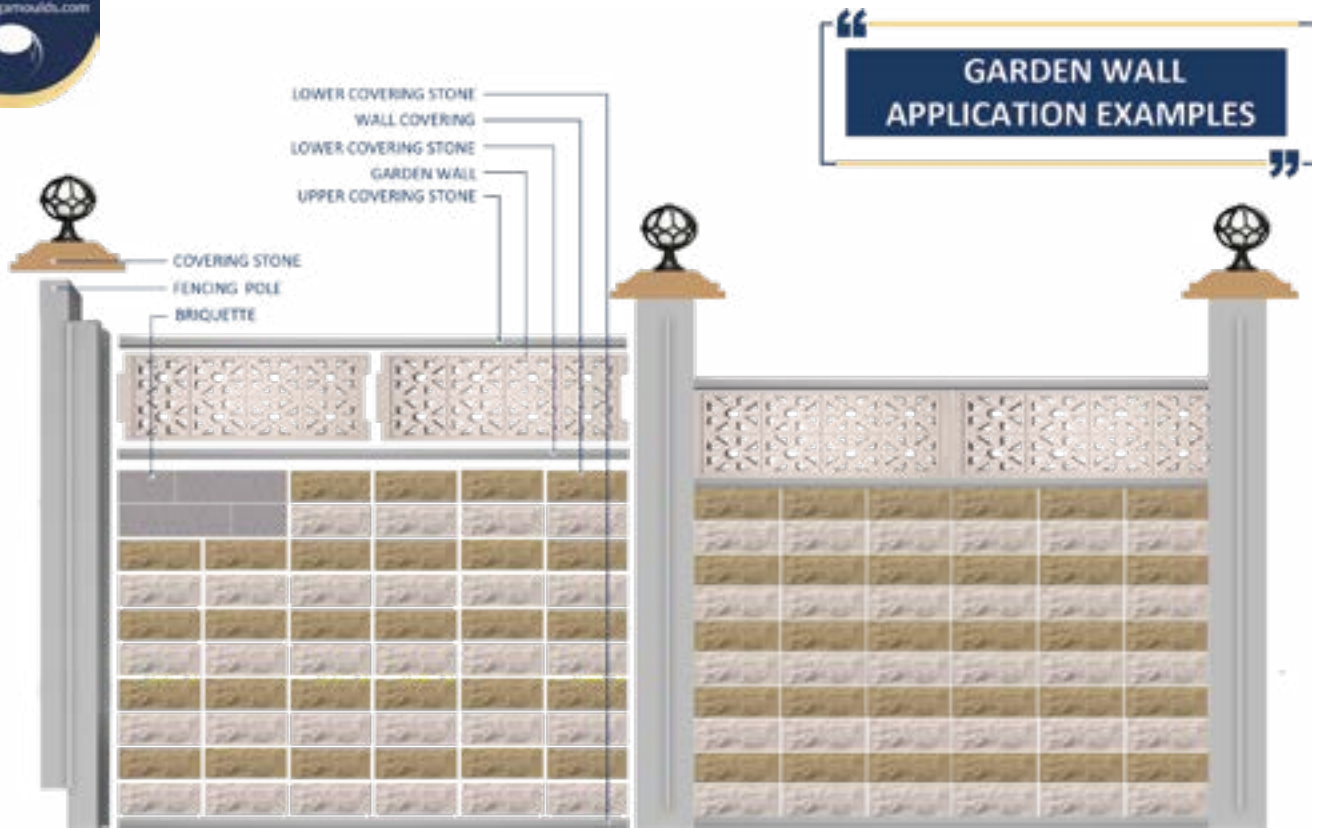


GARDEN WALL APPLICATION EXAMPLES



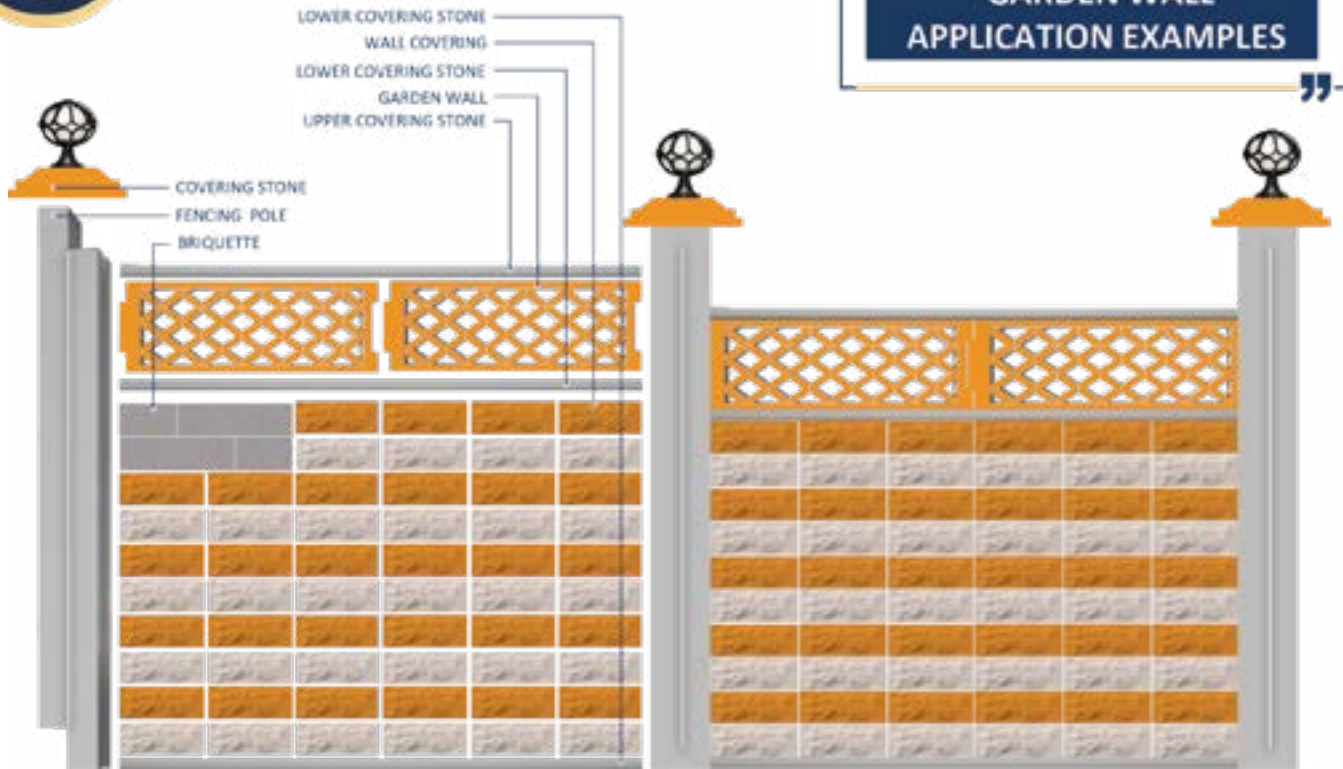
GARDEN WALL APPLICATION EXAMPLES

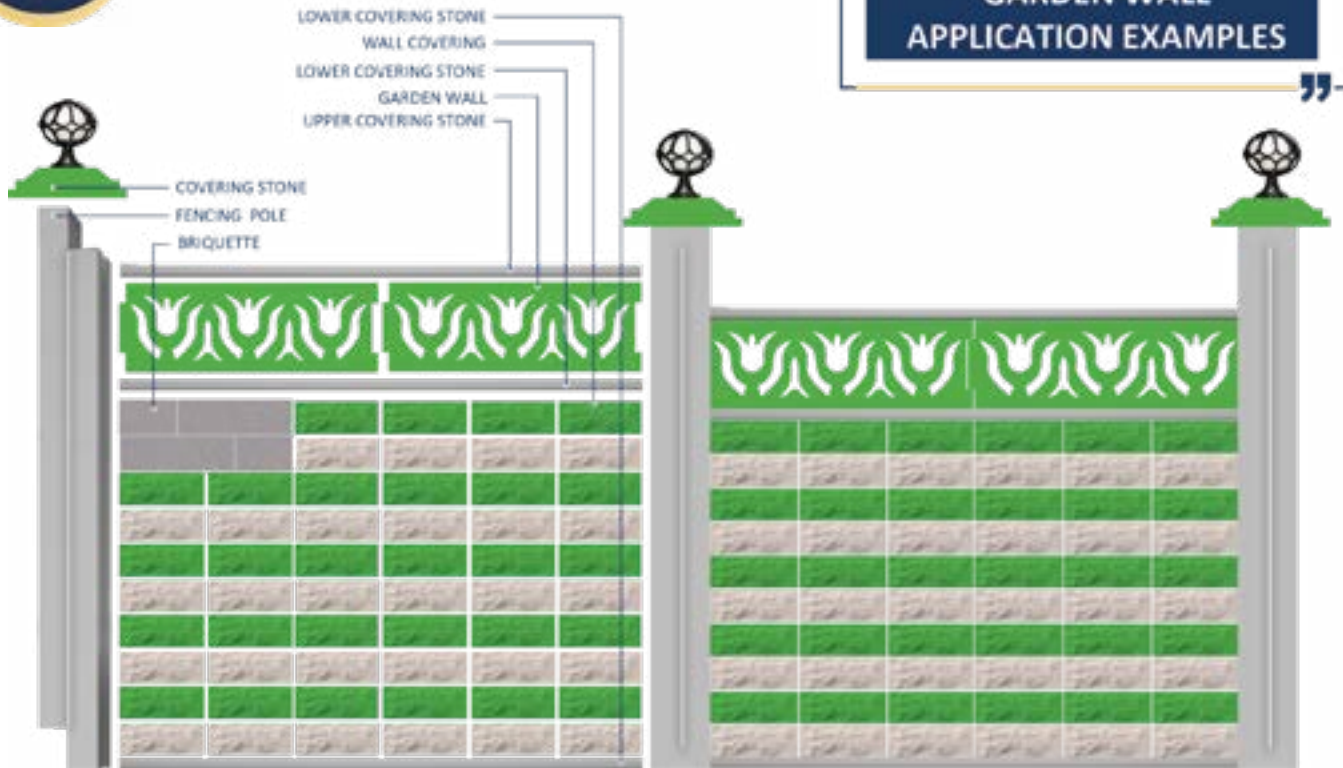




GARDEN WALL APPLICATION EXAMPLES









OUR REFERENCES

Pusula Dt-Tiripoli / Libya • Betagglo Ismail Seddouki - Al Houceima / Moroc • Sps Sevko - Tiflis / Georgia • Barmaki Abdella - İn Salah / Algeria • Teknitra Sarl - Bamako / Mali • Alkhor Block Factory - Doha / Qatar • Althania Trading Est - Medina / Saudi Arabia • Kouadio Armand - Abidjan / Ivory Coast • Shareket Barga - Bingazi / Libya • Aliou Dieng - Conakry / Guinée • Morul Tikinti Mmc - Şemkir / Azerbaijan • Gds Ltd - Tiflis / Georgia • Kaderim Auto - Mycop / Russia • Cengiz Ayhan - Yaounde / Cameroun • Total Group Ltd - Aşkaabat / Turkmenistan • Alwaraki Trading Setores - Dhamar / Yemen • Sps Dabi - Zugdidi / Georgia • Readymix Llc - Muscat / Oman • Kss Yalıtım Giresun / Turkey • Asaf Ltd-Marneoli / Georgia • Mohamed Diatta-Dakar / Sénégal • Ltd Turinji- Batum / Georgia • İbrahim Awad - Kahire / Egypt • Sps Kordi - Kutaysi / Georgia • Rustamova Liliya - Mohaçkale / Dağıstan • Euro Dizayn-Tiflis / Georgia • Freshfull-Benghazi / Libya • Ltd Luxor-Tiflis / Georgia • Gza 2015 İvane -Tiflis / Georgia • Mah El Turk - Naukshott / Mauritania • Sabri Sulayman-Kahire / Egypt • Mr.Benjamin-Libreville / Gabon • Dk Export Btp Sarl-Bamako / Mali • Sool Construction-Conakry / Guiné • Ltd.Alpede-Zestafoni / Georgia • Barmaki Abdella - İn Salah / Algeria • Sps Kordi - Tbilisi / Georgia • Fahad S Alanazi - Muscat / Oman • Llc Blok - Batumi Georgia • Sps Blok Georgia - Tiflis / Georgia • Azpod Mehdut - Baku / Azerbaijan • Kardeşler Hafriyat - Trabzon Turkey • Gza 2015 İvane - Tiflis / Georgia • Eurl Labras Lilkaoualeb - El Biar / Algeria • Rehap Trading Est Factory - Muscat / Oman • Al Almanian For Chement - Kahire / Egypt • Çiko Ltd - Akhaltsikhe / Georgia • Almmtda Brick Making-Mısrata /Libya • Atf Mmc- Göyçay Rayonu /Azerbaijan • Begli İlekov-Aşkaabat / Turkmenistan • Muesseset Al Agfali -Hamis / Saudi Arabia • Tkveni Mshenebeli -Bakuryani / Georgia • Yedde Co - Esam A.Halid -Bingazi / Libya • Ryboa Haima Trading Co - Muscat / Oman • Namaz Panaşvili - Marneoli / Georgia • Mahmood Khomri - Medine / Saudi Arabia • Bagri Buchukuri - Dusheti / Georgia • Aradani - Mamuka - Kutaysi / Georgia • Aluvotec Groupe Moussa Diaby - Abidjan/ Cote D'ivoire • Ahmad Omar Khomri - Medine / Saudi Arabia • Allal Nouredine Fabricatin - El Oued / Algeria • Sopramac İmmobilieresa-Bamako / Mali • Ets Ousmane Dioko Keita-Bamako / Mali • Althania Trading - Medine / Saudi Arabia • Belmeliani Lahcene - Tlemcen / Algeria • Aya Stone - Jamal - Marakeş / Morocco





www.megamoulds.com



+90 545 347 17 61

+90 542 359 67 64

+90 542 359 67 50

+90 542 359 67 92

+90 542 359 67 53

+90 542 359 67 37

www.megamoulds.com

info@megamoulds.com

megamouldsen

megamouldsen

@megamouldsen

@megamouldsen

megamouldsen

Sanayi mah. Devlet Karayolu Cad.
No:84/1 - 61100 Trabzon - Turkey

